

Resistance temperature detector R11 model RKW 4

RTD cable- sensor model RKW 4 with screw-in sleeve

In general

The temperature sensors manufactured by Reckmann GmbH (R58®) are solely intended for the measurement of process temperatures in solid, liquid and gaseous media. Depending on the screw-in sleeve the sensor has direct contact to the process temperature.

Application area:

Uncritical process conditions at plant engineering, hot runner mould, synthetic material industry.

Stock-number-code: 1R11-W4

Technical datas

- **Measuring unit** (fig.1/2 + 4) cable and sensor are directly connected, isolated and mounted in the sensor sleeve.

- **Sensor:**

thin film according to IEC / EN 60751,
in 1 x 2-, 1 x 3-, 1 x 4-, 2 x 2-, 2 x 3- or 2 x 4 wire.

Recommended operating temperature on the measuring tip up to 350 °C.

Accuracy class according to IEC / EN 60751

Operating temperature

- 50°C up to + 500°C for thin film sensors,
- 200°C up to + 600°C for ceramic sensors
- 200°C up to + 450°C for glass sensors.

- **Sensor sleeve** (fig. 1/4)

Standard material 1.4305,
Standard diameter 6 or 8 mm,
Standard screw M4 / M6 / M8.

Anti-kink spring (fig. 1/3): optional.

- **Temperature range of the cable** (fig.1/2) static cable system:

PVC isolated -20 °C up to 80 °C, silicone isolated -50 °C up to 180 °C,
FEP isolated -100 °C up to 205 °C, PFA with VA shield -190 °C up to 250°C,
PTFE isolated -100 °C up to 260 °C, Gls isolated -50 °C up to 350 °C.

- **Temperature range of optional plug connector** (fig.1/1):

Compensation plug connector(Typ B) -40 °C up to 200 °C, Lemo -55 °C up to 200 °C and M12 -40 °C up to 85 °C.

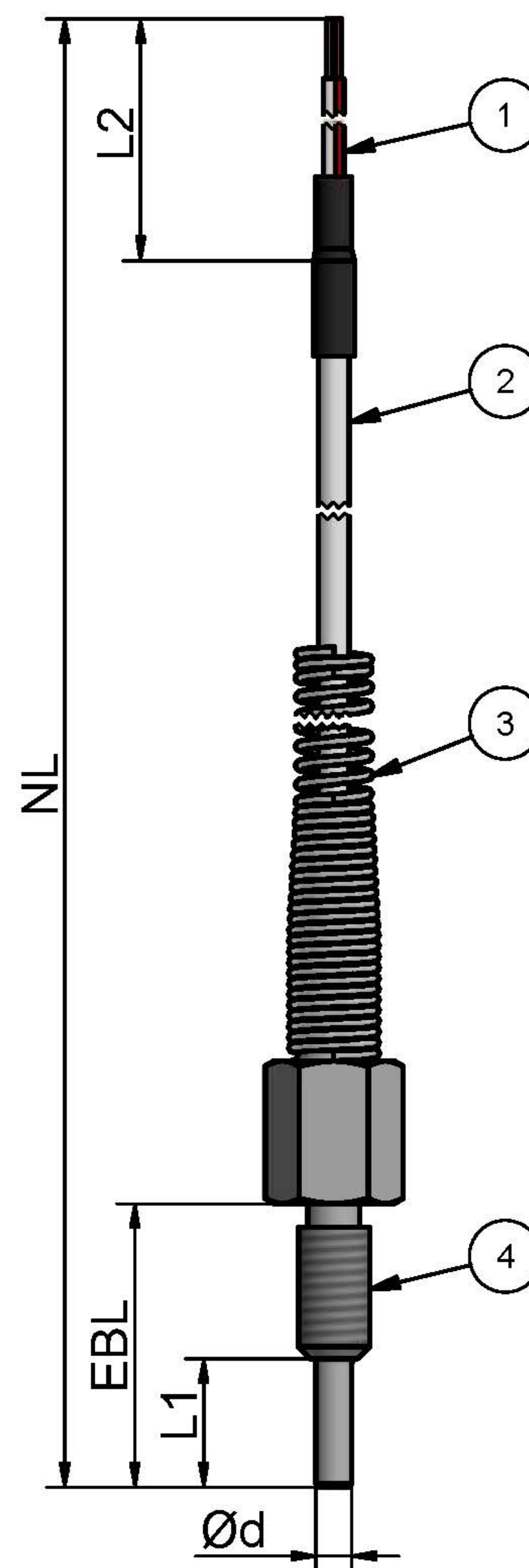
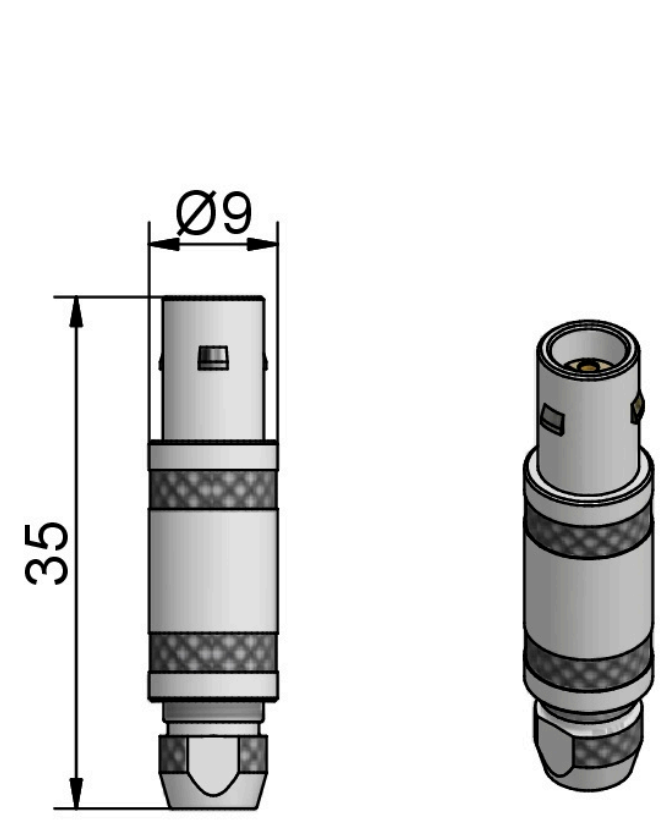


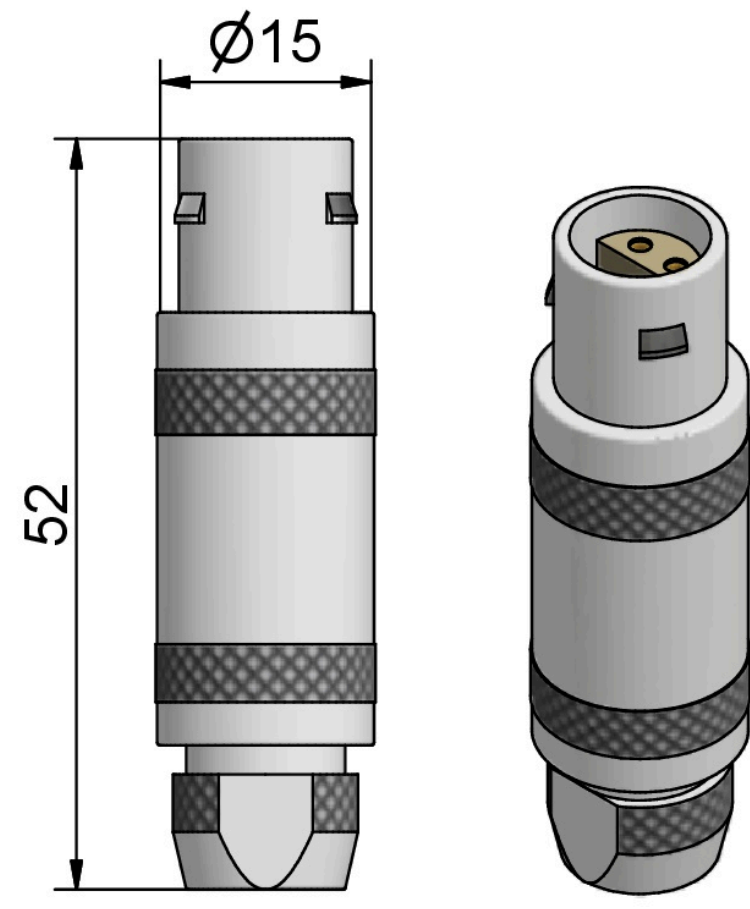
fig. 1

Optional plug connector

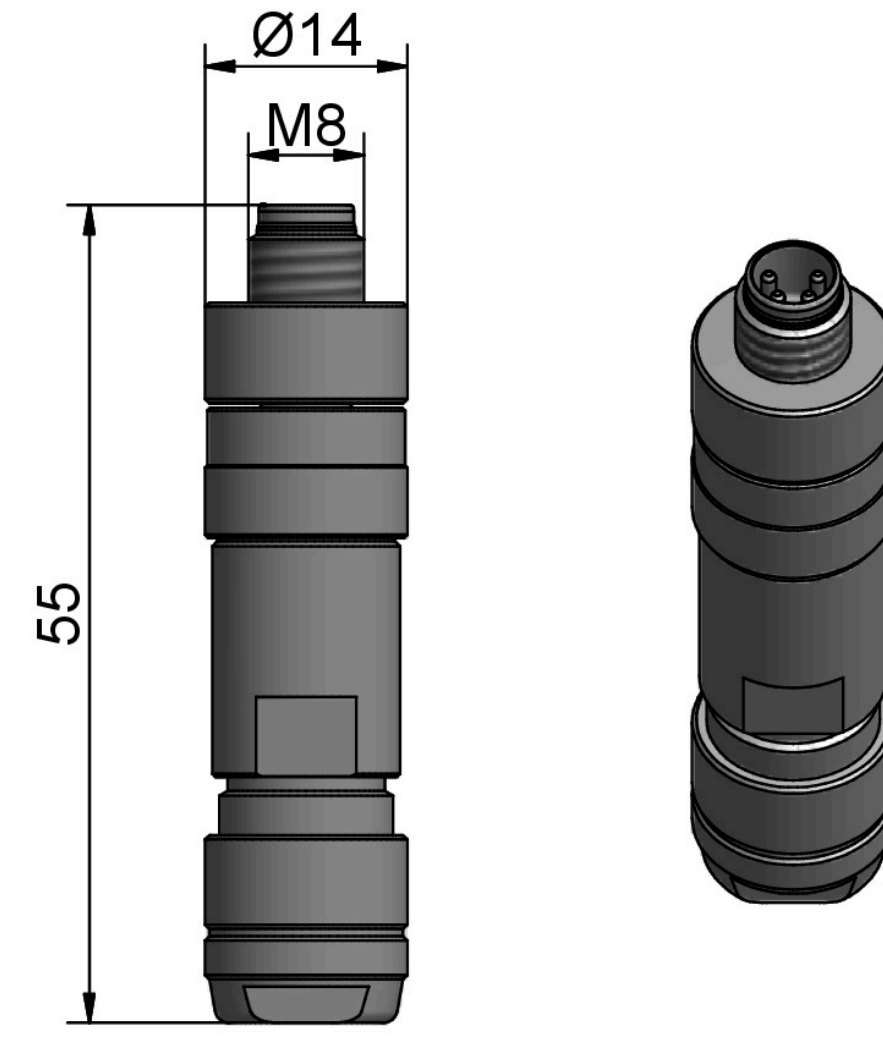
Examples of plug connectors with wiring diagram:



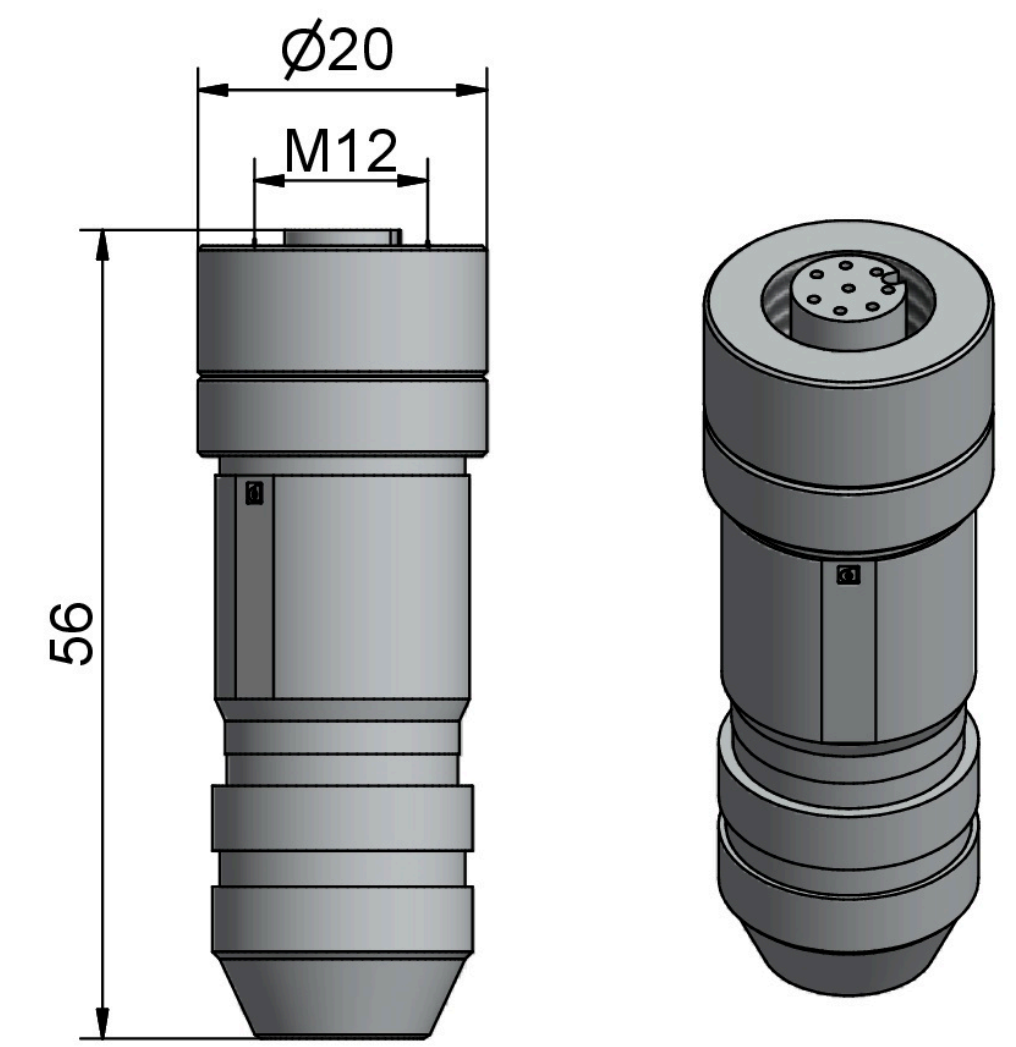
Lemo plug size 0



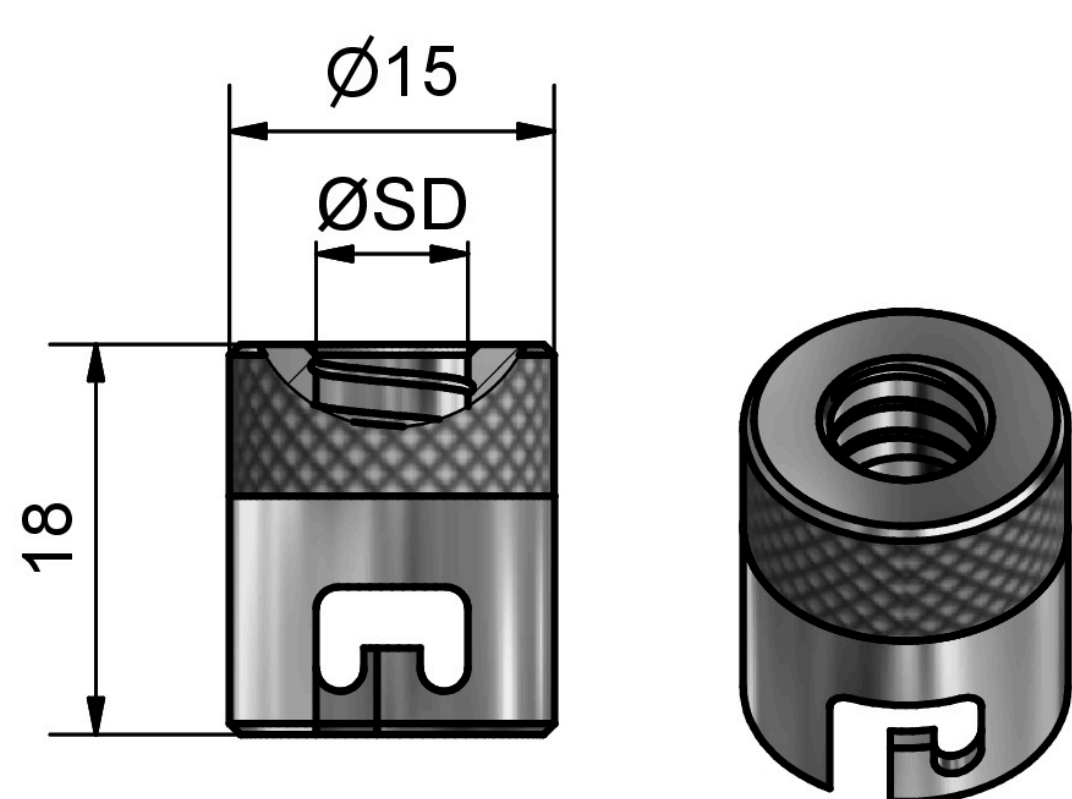
Lemo plug size 2



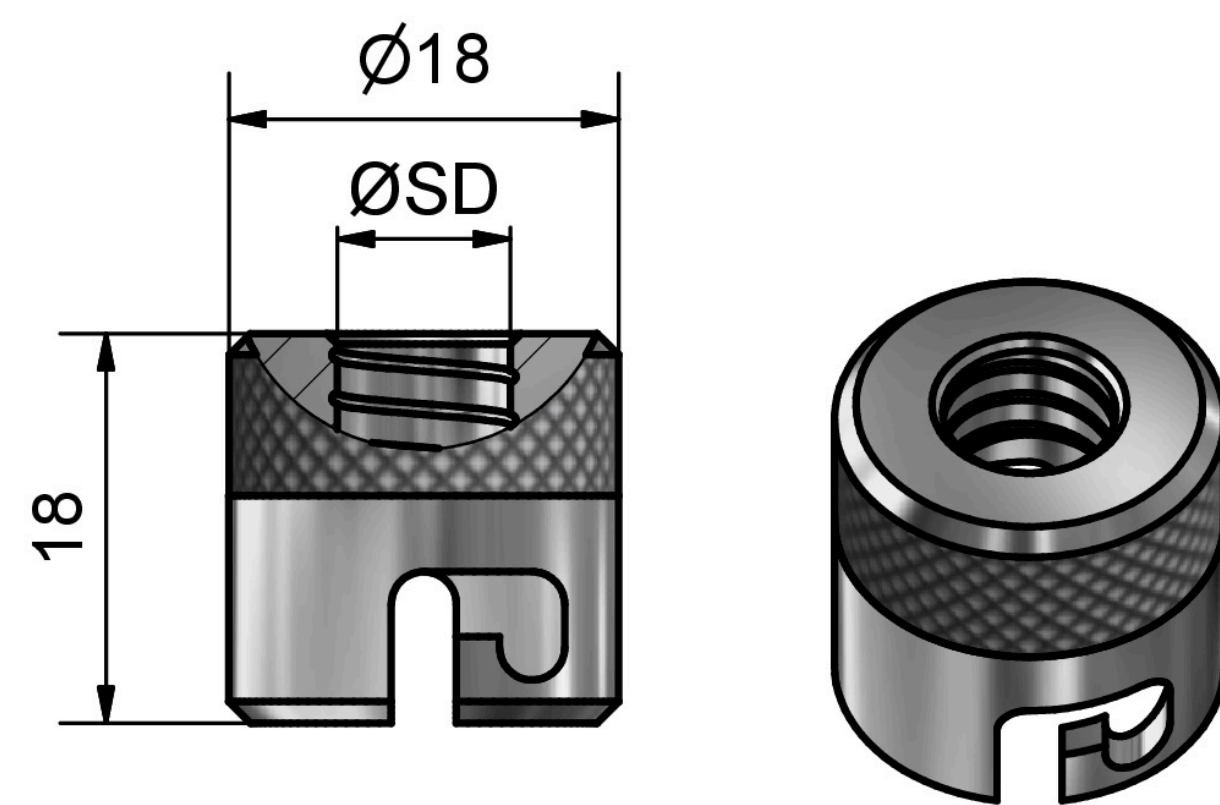
M8 plug 4 - terminal screened



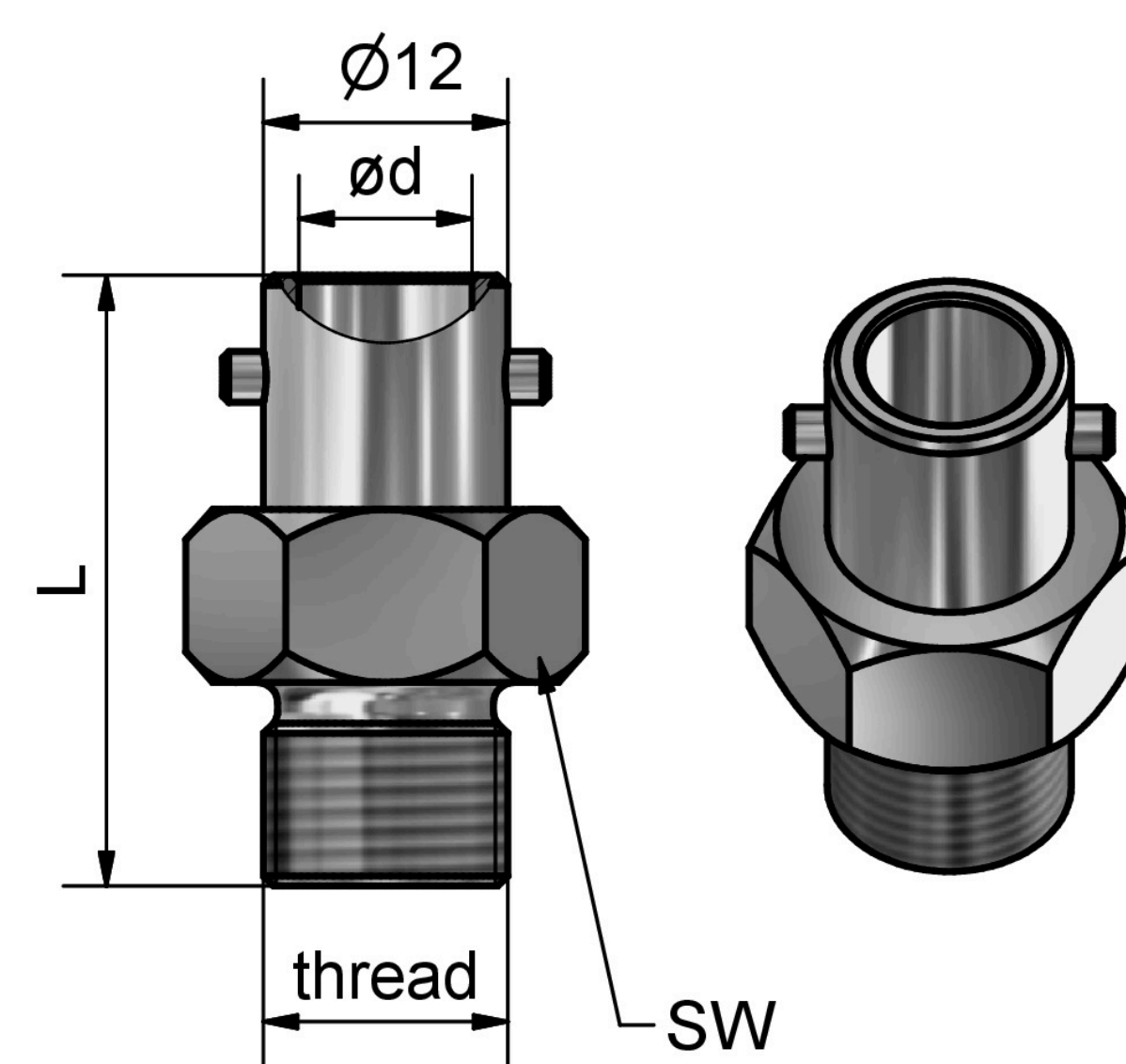
M12 socket 8 - terminal screened



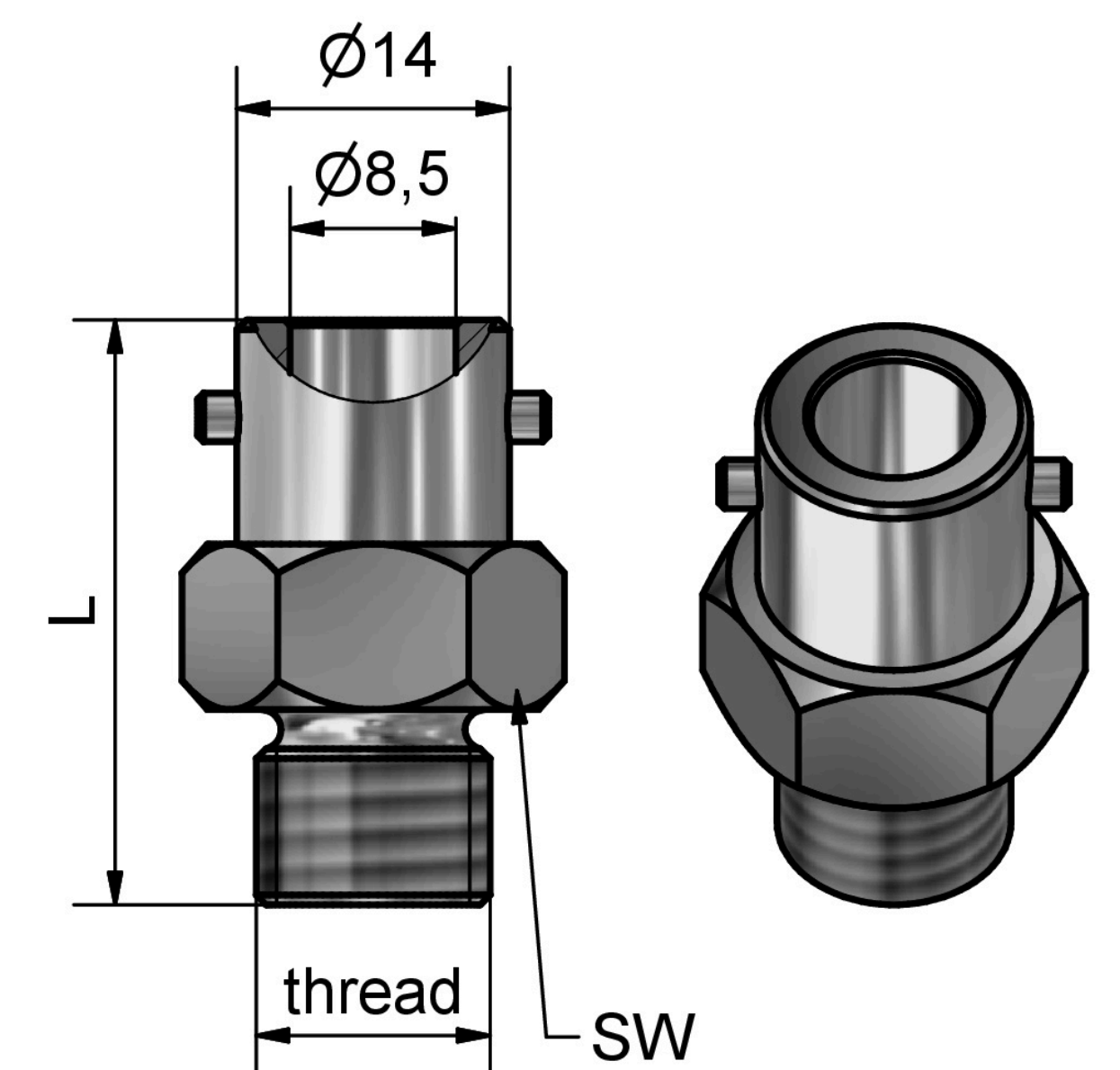
bayonet cup type RK



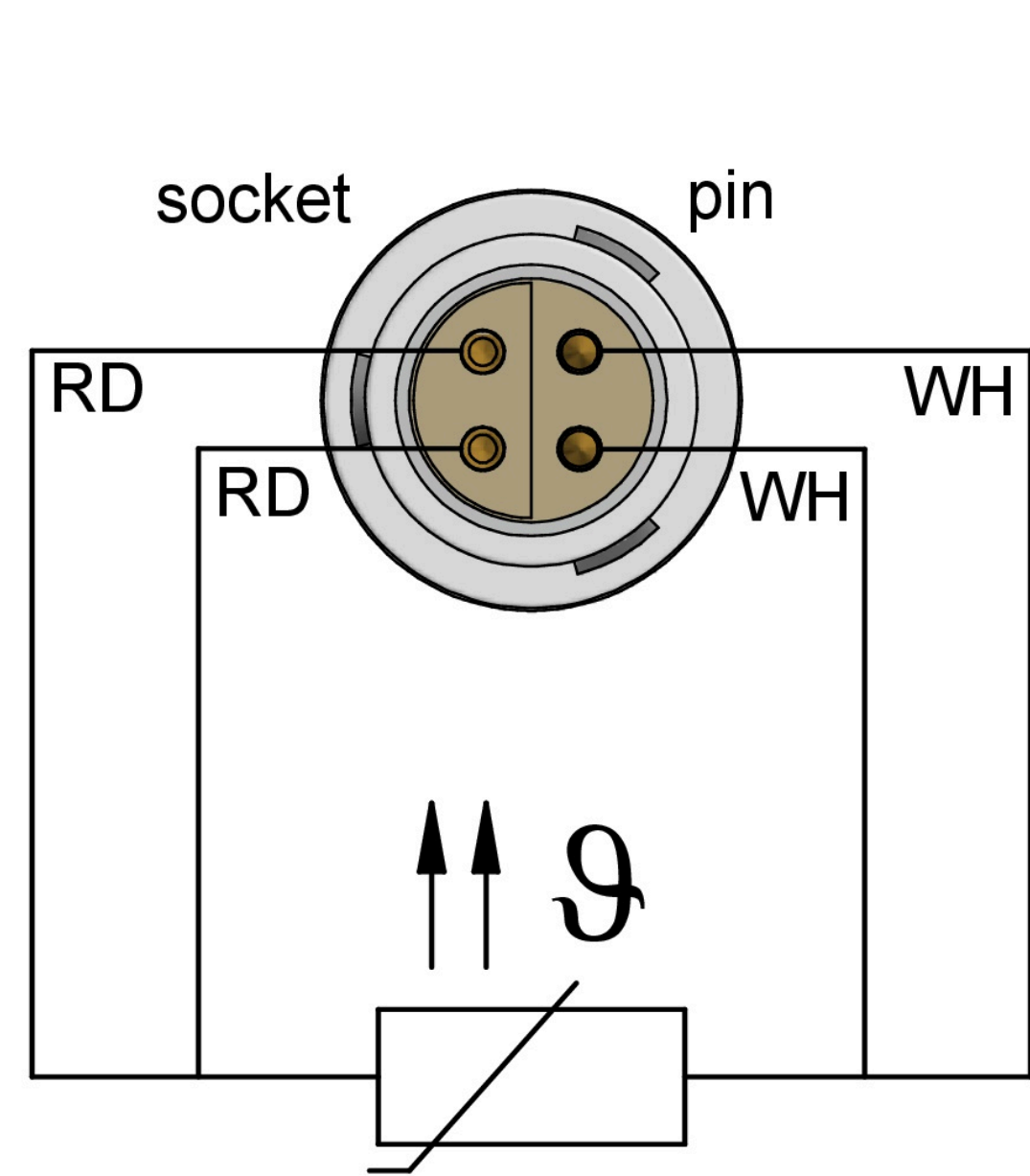
bayonet cup type RN



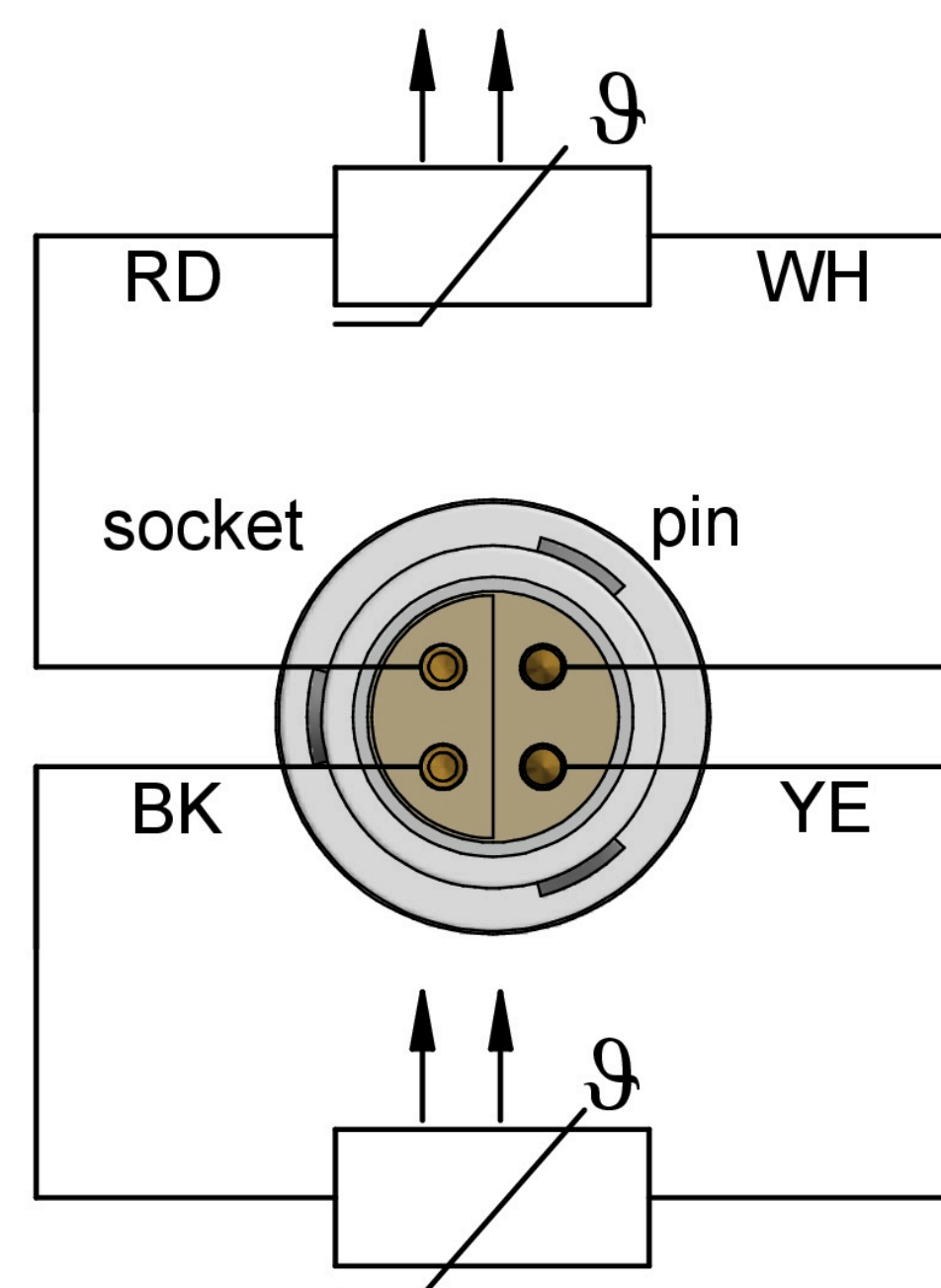
screw nipple type RK



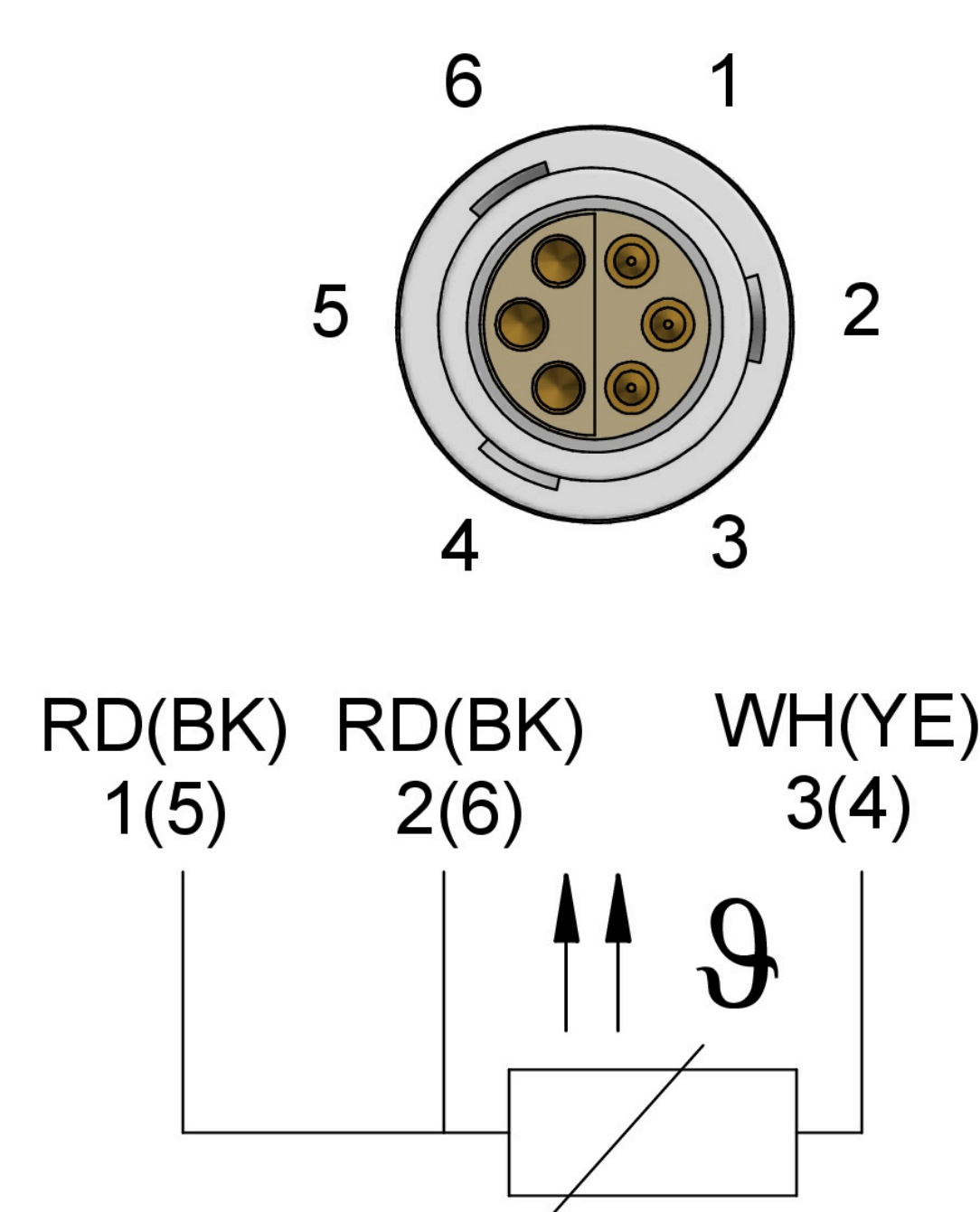
screw nipple type RN



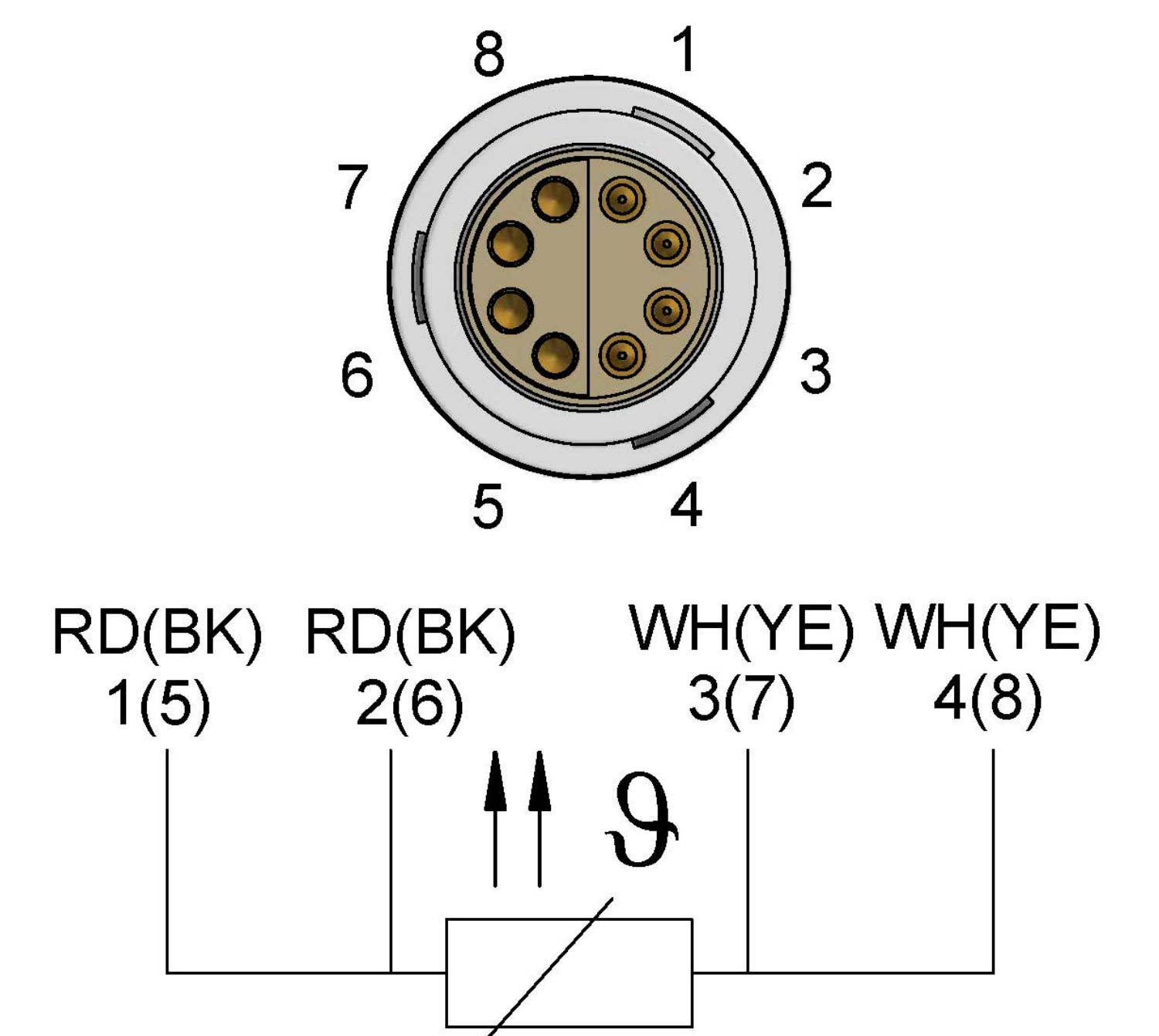
Lemo plug 1 x 4 wire front view



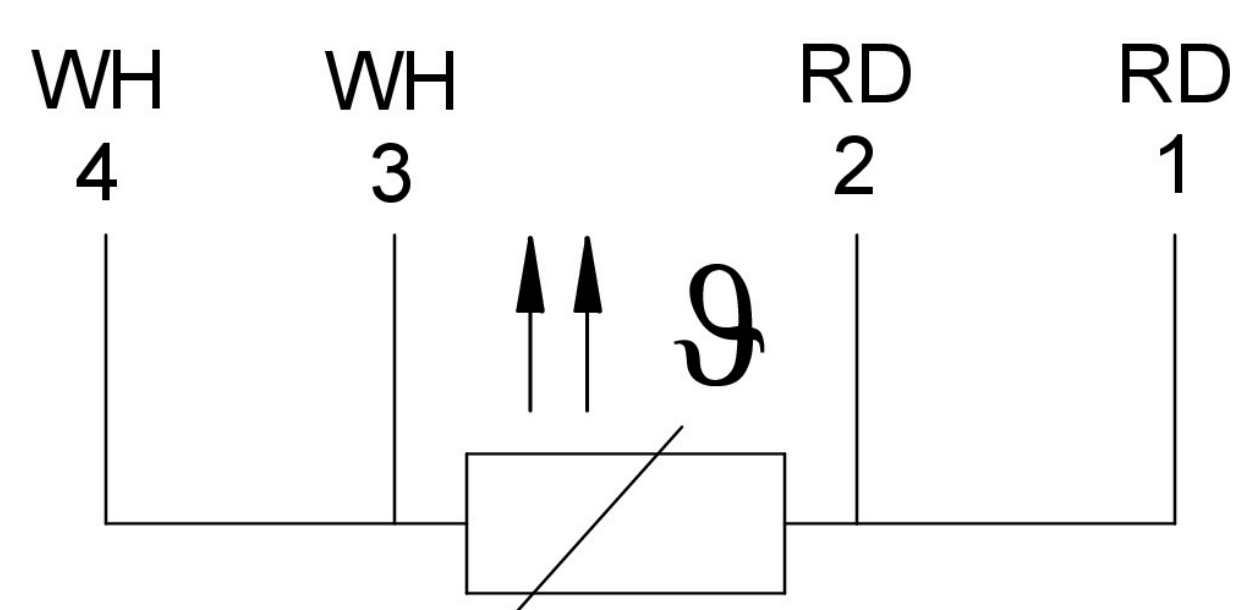
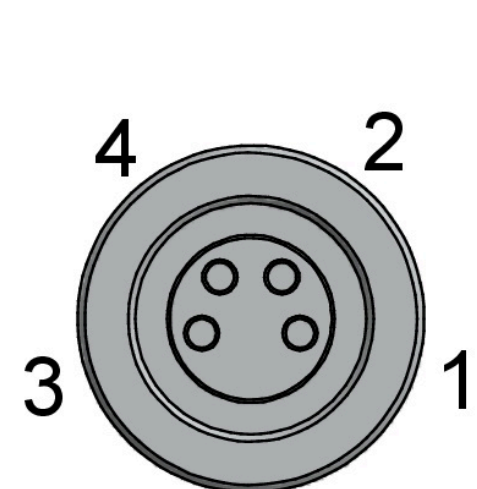
Lemo plug 2 x 2 wire front view



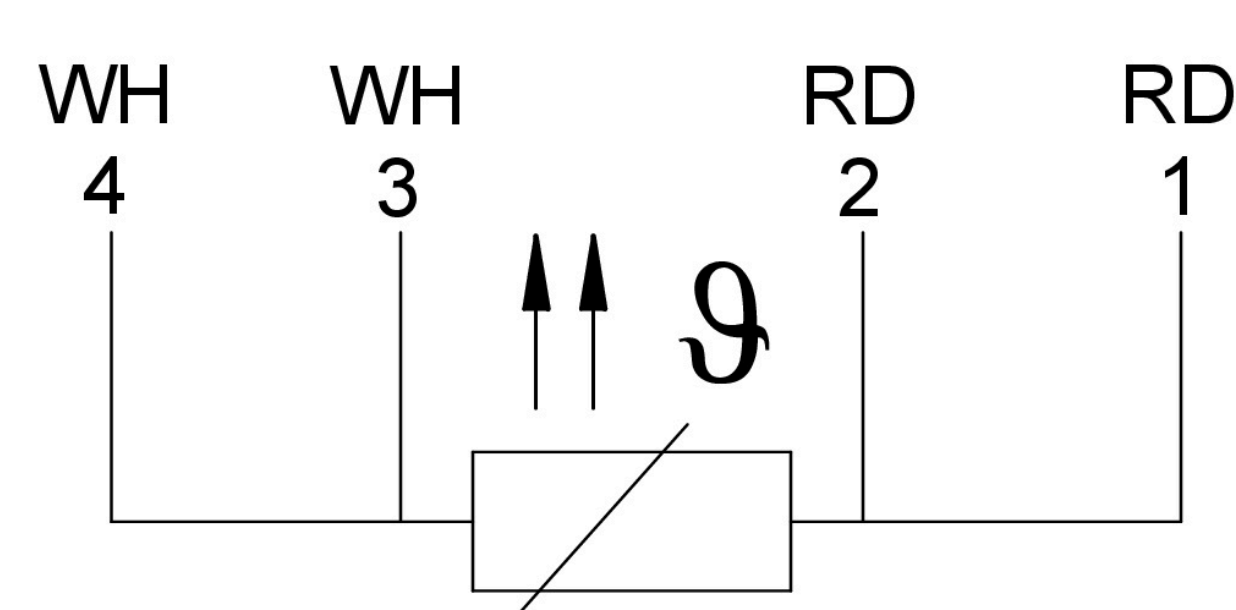
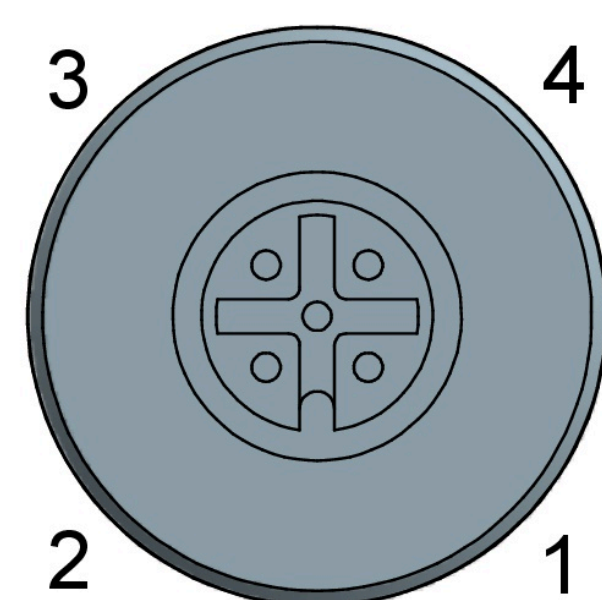
Lemo plug 2 x 3 wire front view



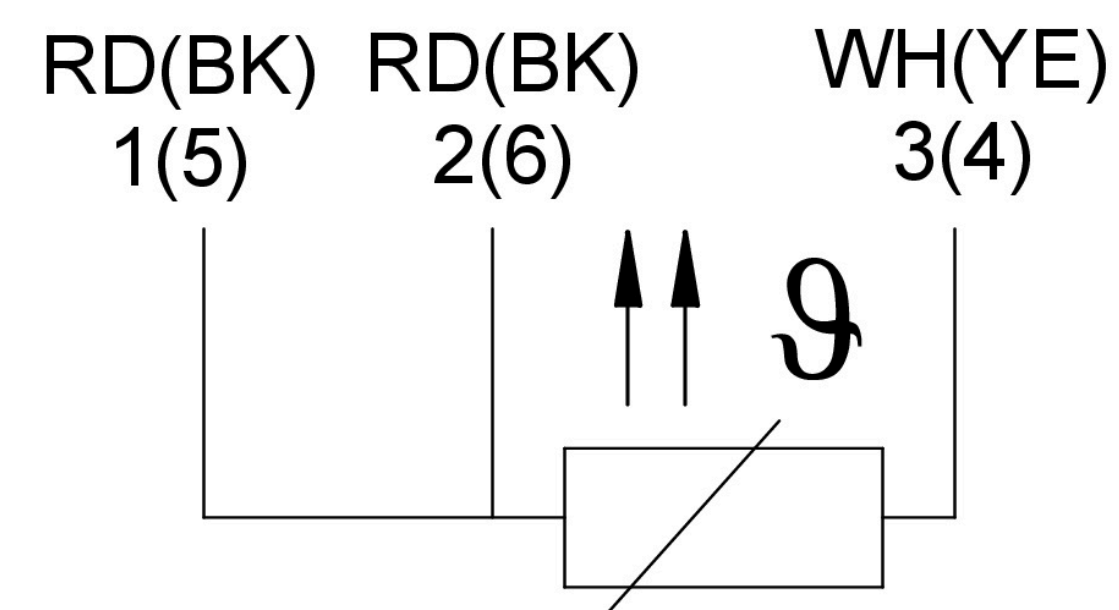
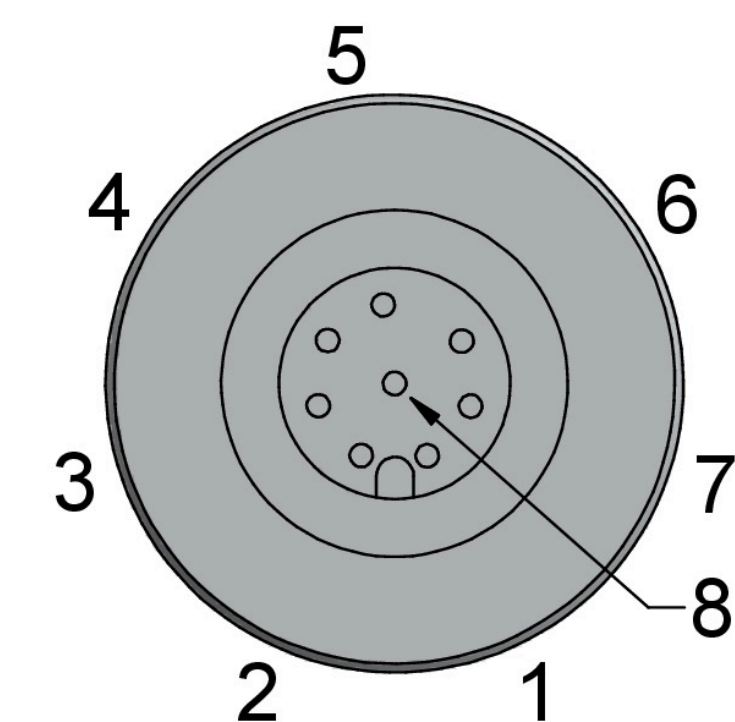
Lemo plug 2 x 4 wire front view



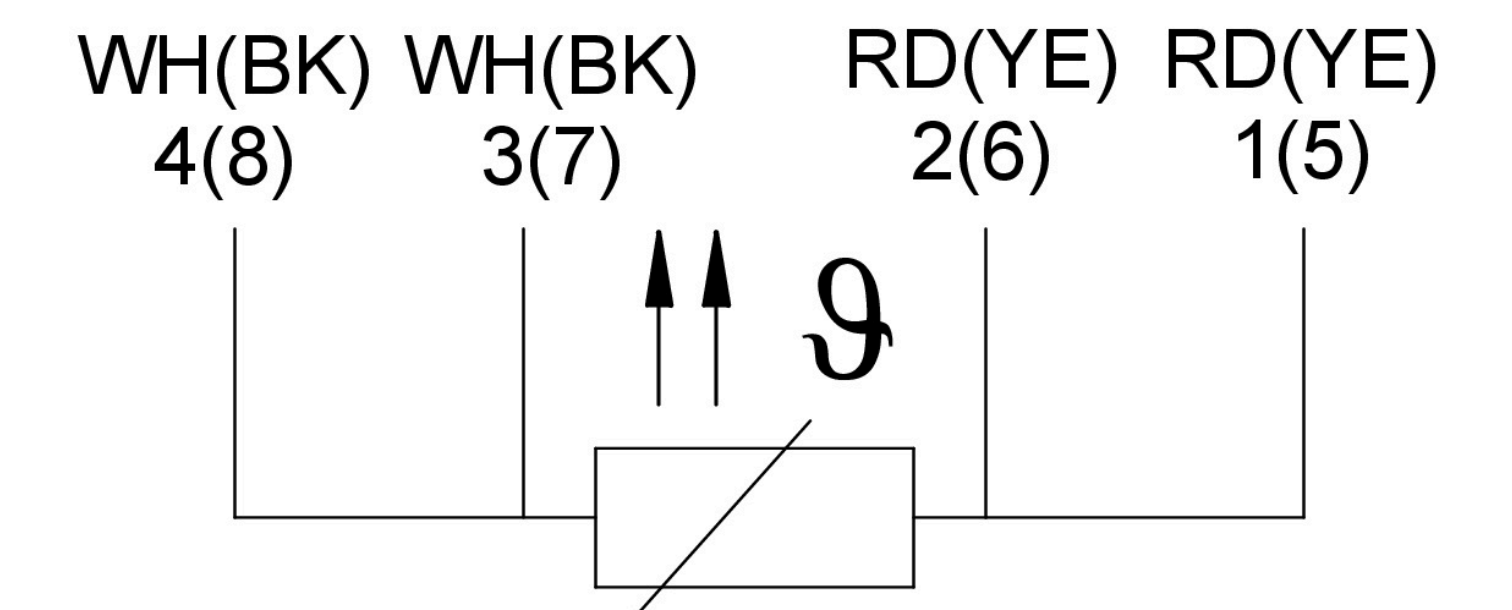
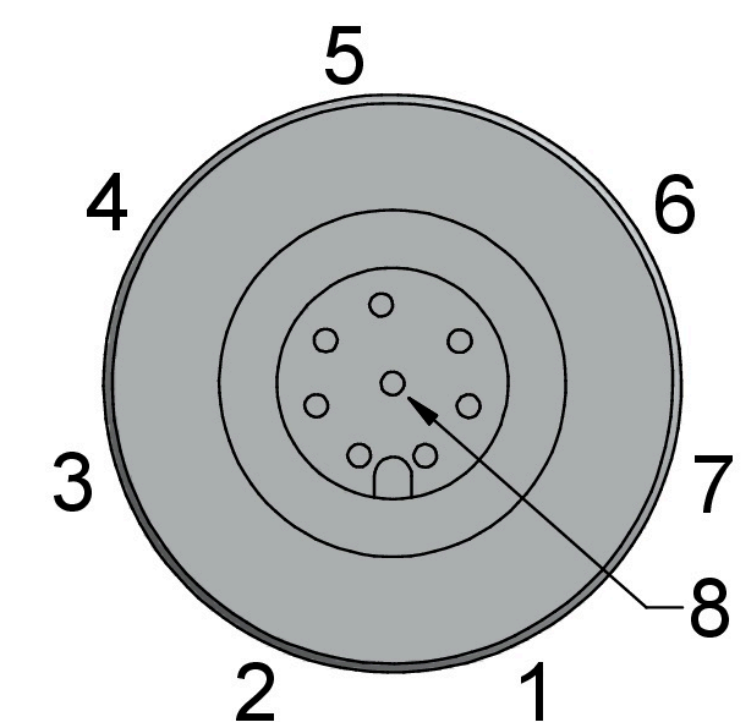
M8 socket 1 x 4 wire front view



M12 socket 1 x 4 wire front view A- code



M12 socket 2 x 3 wire front view A- code



M12 socket 2 x 4 wire front view A- code