

# Resistance Temperature Detector model 2G

## RTD with protection tube model 2G according or similar to DIN 43722

### In general

The temperature sensors manufactured by Reckmann GmbH (R58®) are solely intended for the measurement of process temperatures in solid, liquid and gaseous media. This model allow a directly screw in into the process connection of a autoclave or pipeline.

#### Application area:

Autoclave, machine and plant engineering, chemicals industry, power plant technology, industry of building materials, recycling.

**For installation please see our operating instructins for for resistance temperature detectors(RTD).**

**Stock-number-code: 1R15-B2.**

### Technical datas

- **Connection head** (fig. 1/1) according to DIN EN 50446.  
Standard connection heads: Form B-G12, B-KL, B-VA, BA-KL, BA-KS, BA-KLH, BA-KSH. Dimension see page 2.
  - **Protection shell** (fig. 1/4 up to 5) according or similar to DIN 43772.  
Standard material 1.4571 (316Ti).  
Standard diameter 9 or 11 mm.
  - **Process connection** (fig.1/4) a screwed plug with all standard thread s.  
Standard thread G1/2".
  - **Measuring insert** (fig.1/2) replaceable according to DIN 43735.  
Sensor depending on use:  
thin film or ceramic according to IEC / EN 60751,  
standard in 1 x 3-, 1 x 4-Leiter-, 2 x 3- or 2 x 4 - wire circuit.  
Recommended operating temperature on the measuring tip depended on accuracy class according to IEC / EN 60751
- Operating temperature for PT100**
- 50°C up to + 500°C for thin film sensors,
  - 200°C up to + 600°C for ceramic sensors,
  - 200°C up to + 450°C for glass sensors.
- Sheath material** according to IEC / EN 61515.  
Standard material 1.4404,  
other on request.  
Standard diameter 3 or 6 mm.
- **Optional** on request other materials, diameter or wit transmitter

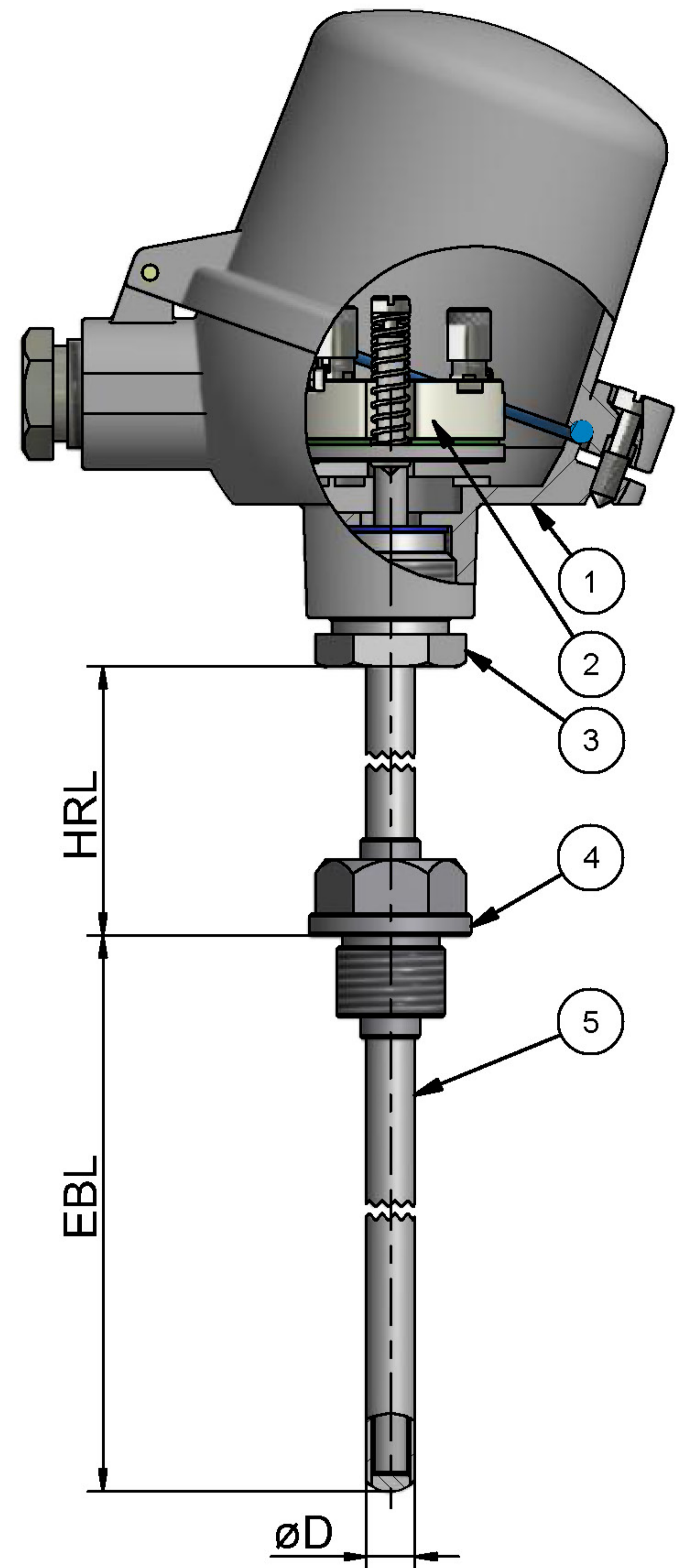
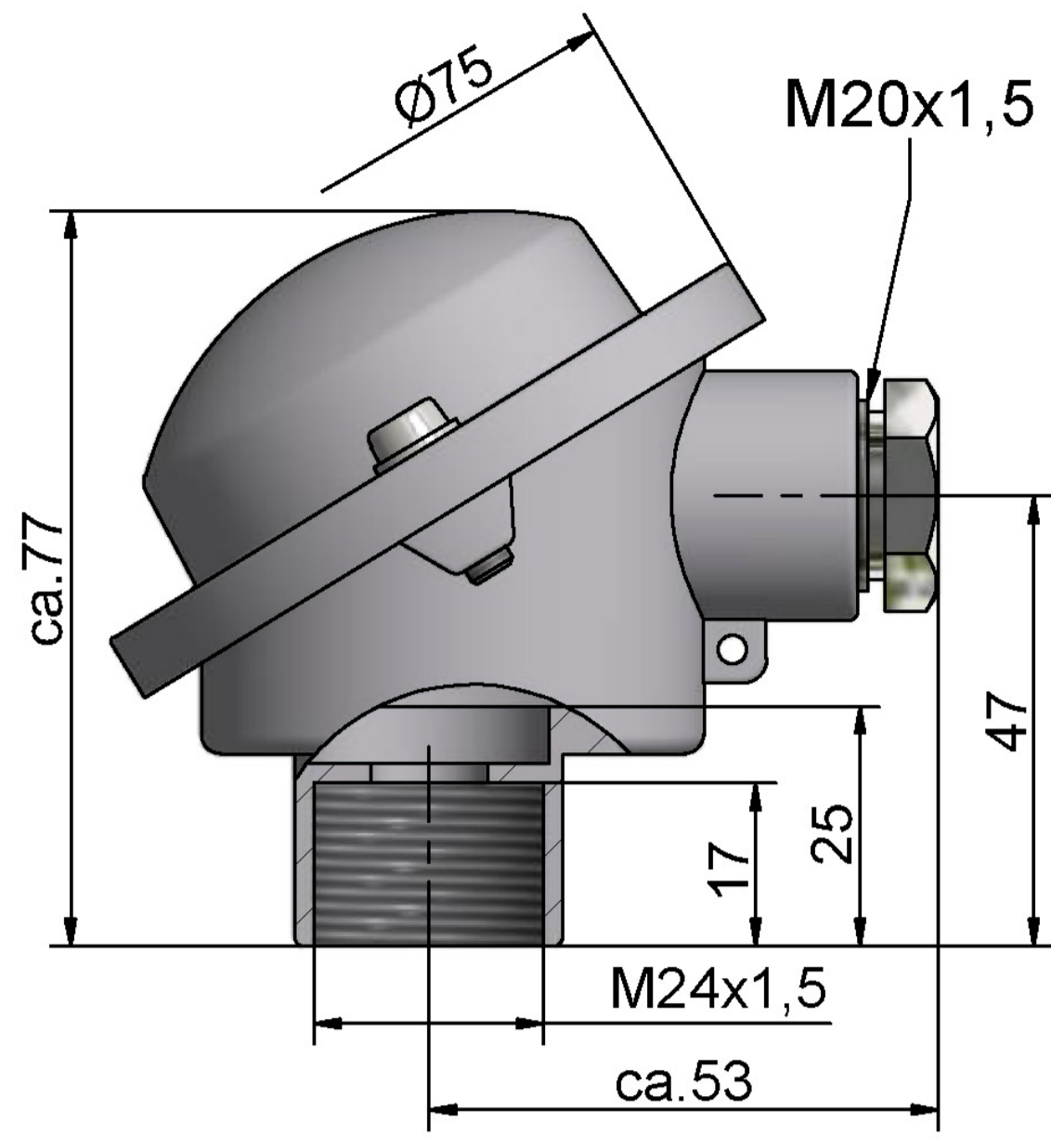


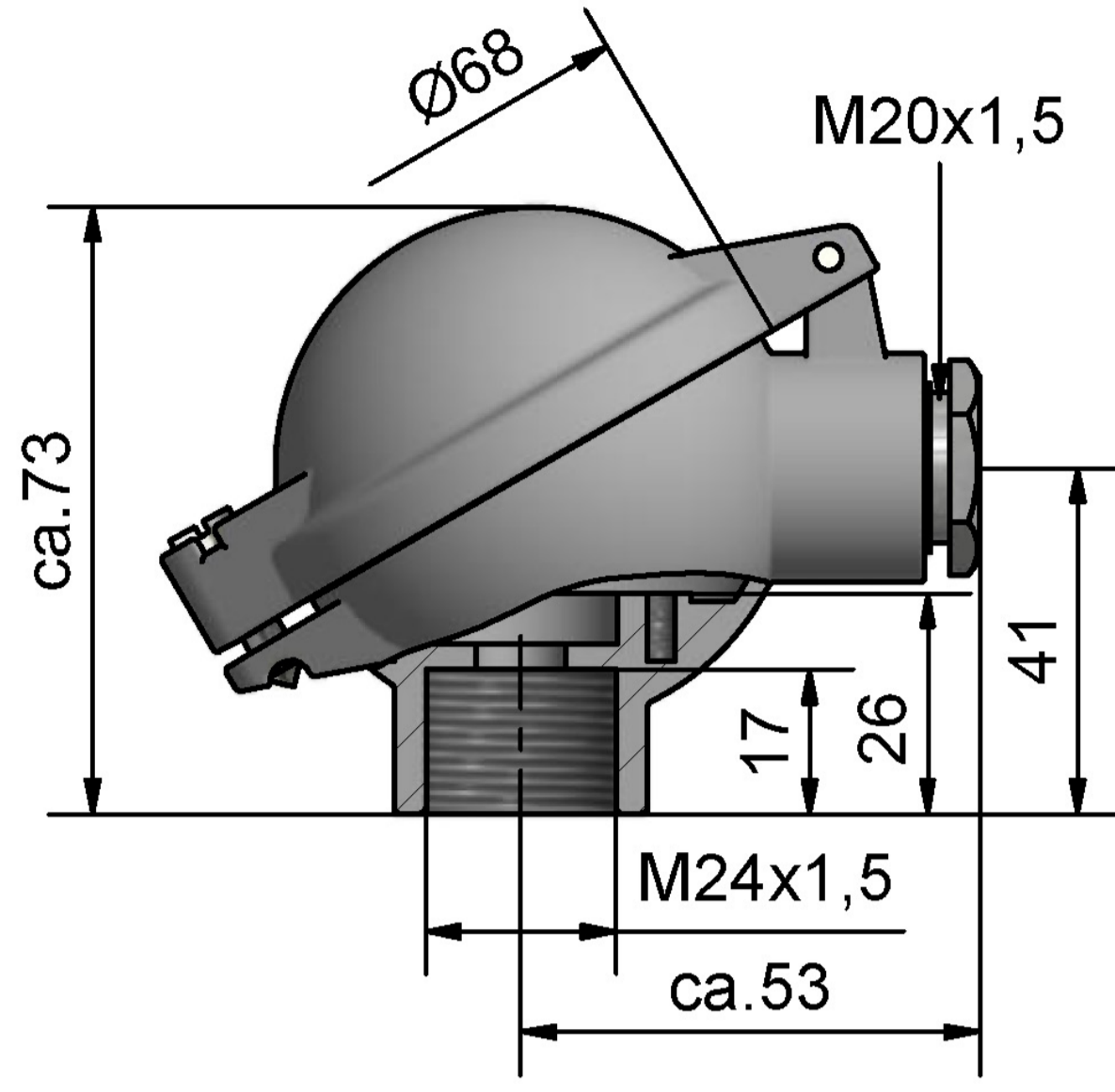
fig. 1

# Optional connecting heads / circuit diagram

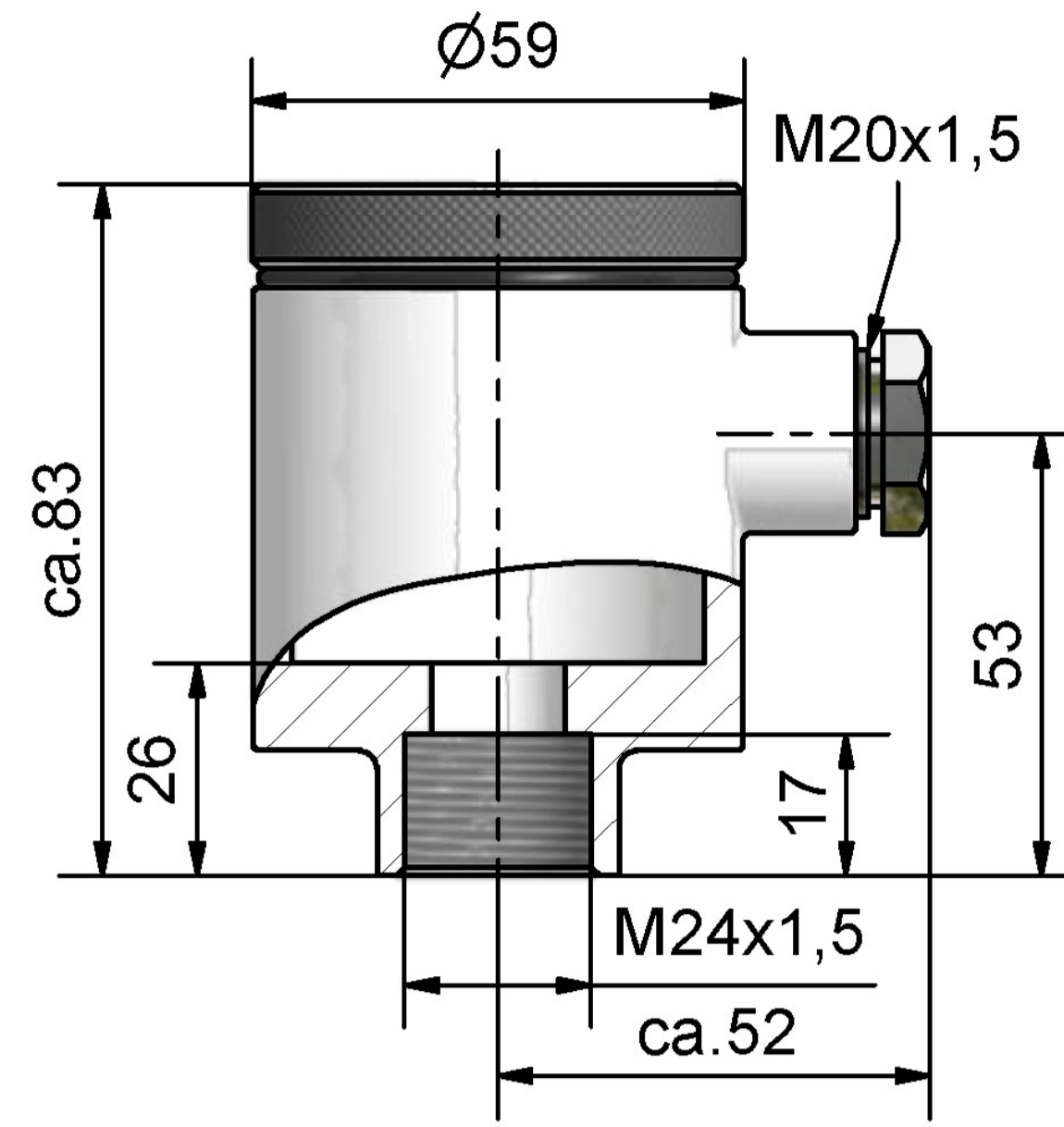
As an alternative to the cable gland, a M12 insert plug connector is possible



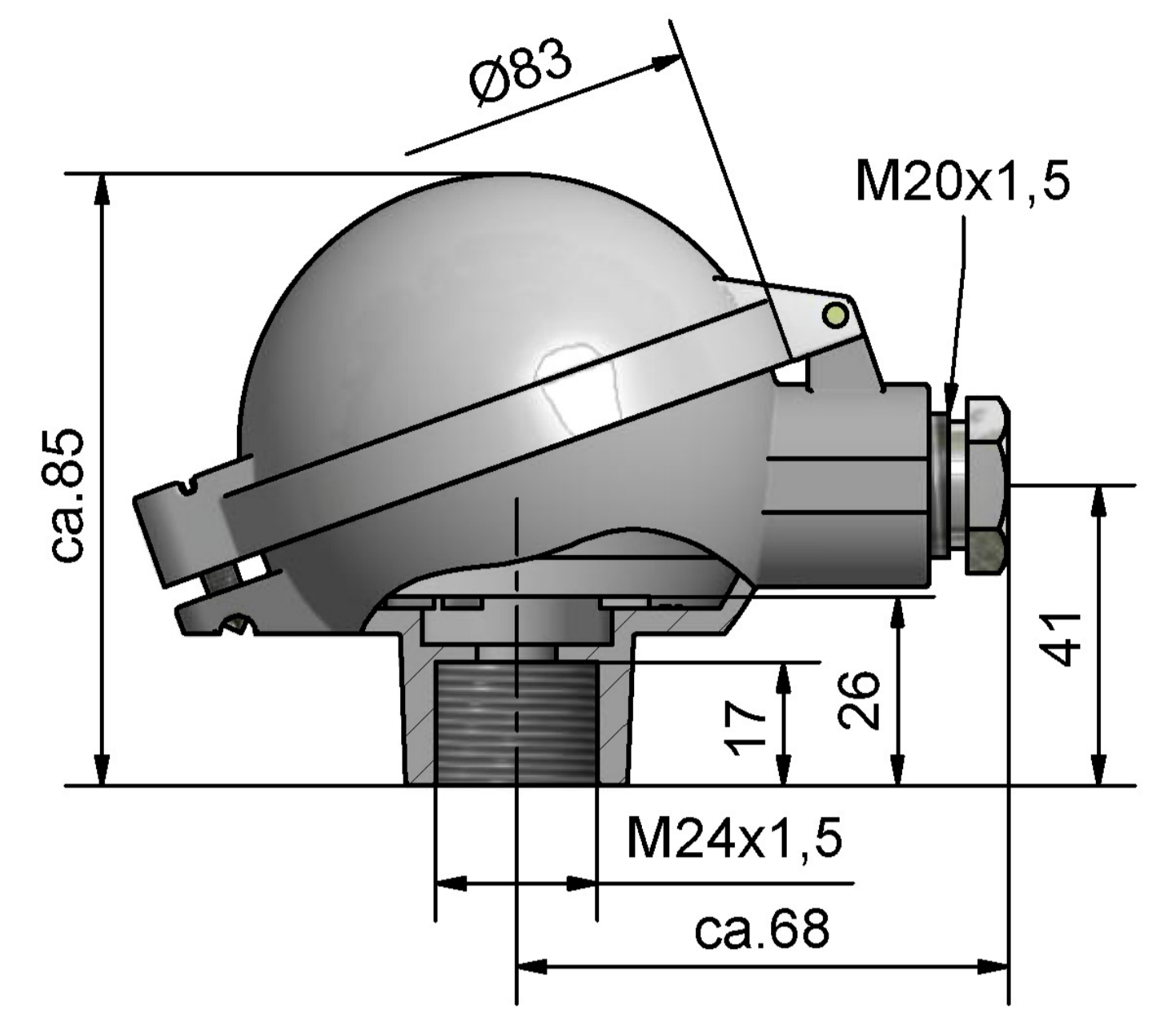
connection head model B-G12  
M24 x 1,5



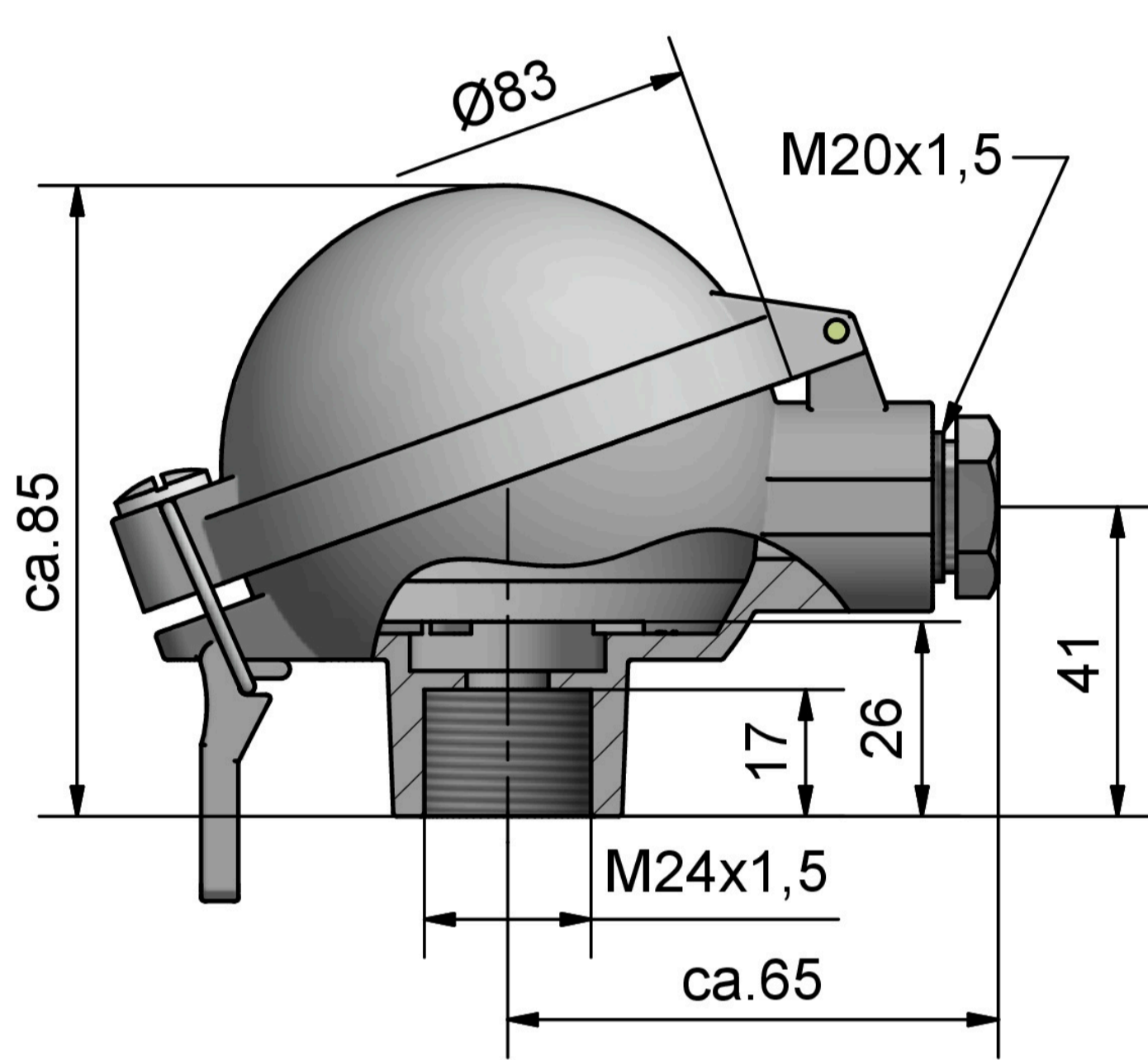
connection head model B-KL  
M24 x 1,5



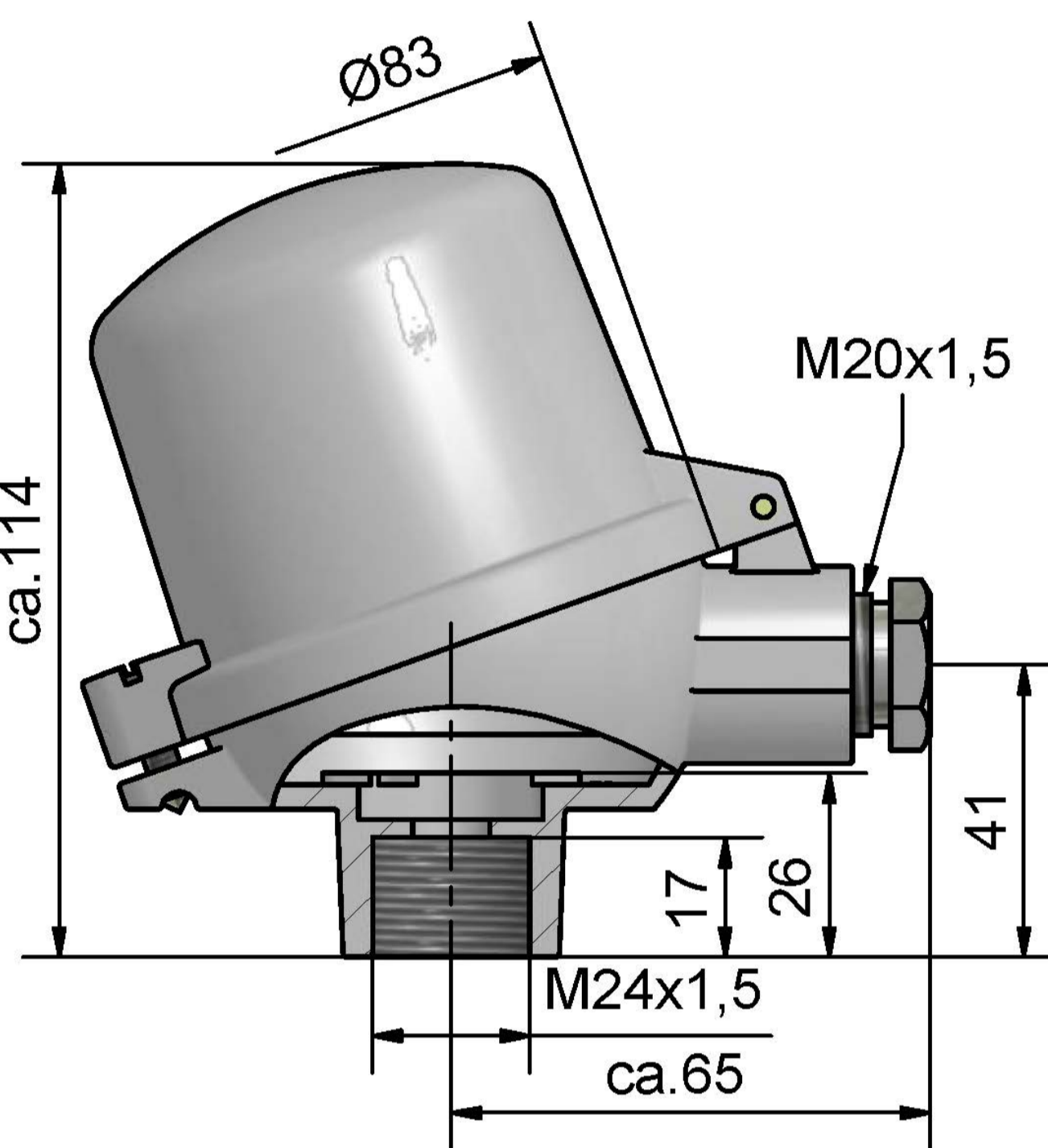
connection head model B-VA  
M24 x 1,5



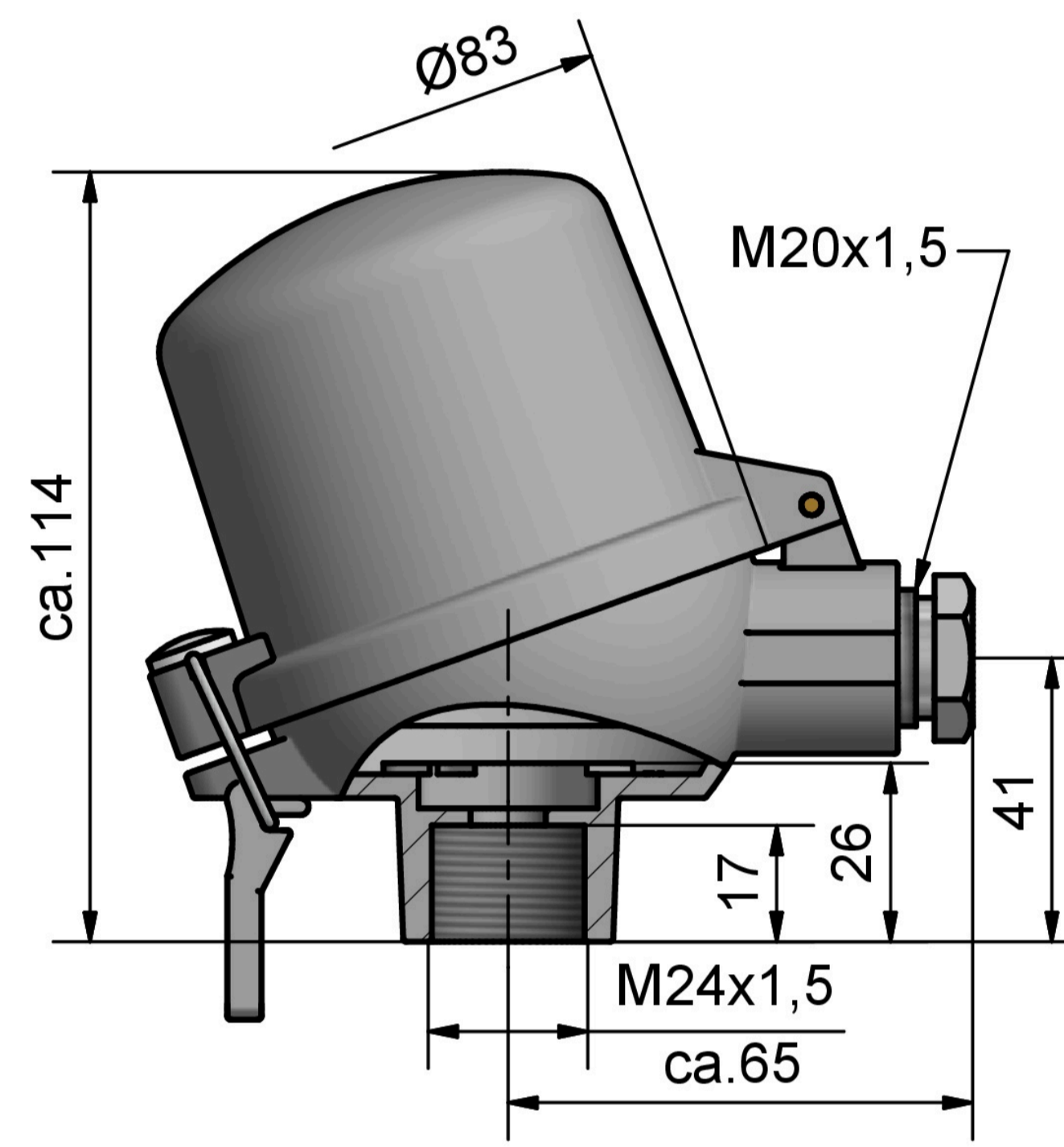
connection head model BA-KL  
M24 x 1,5



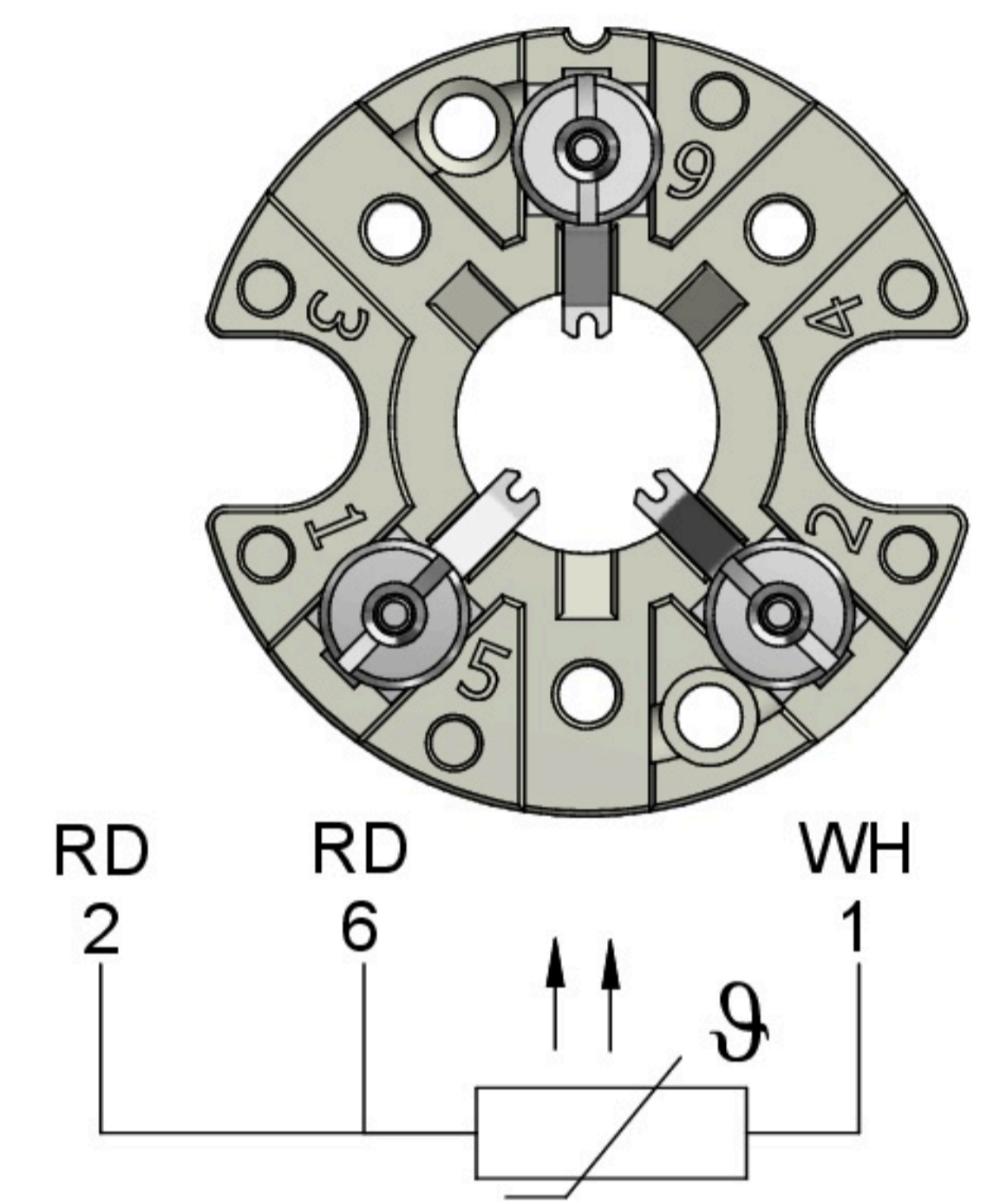
connection head model BA-KS2  
M24 x 1,5



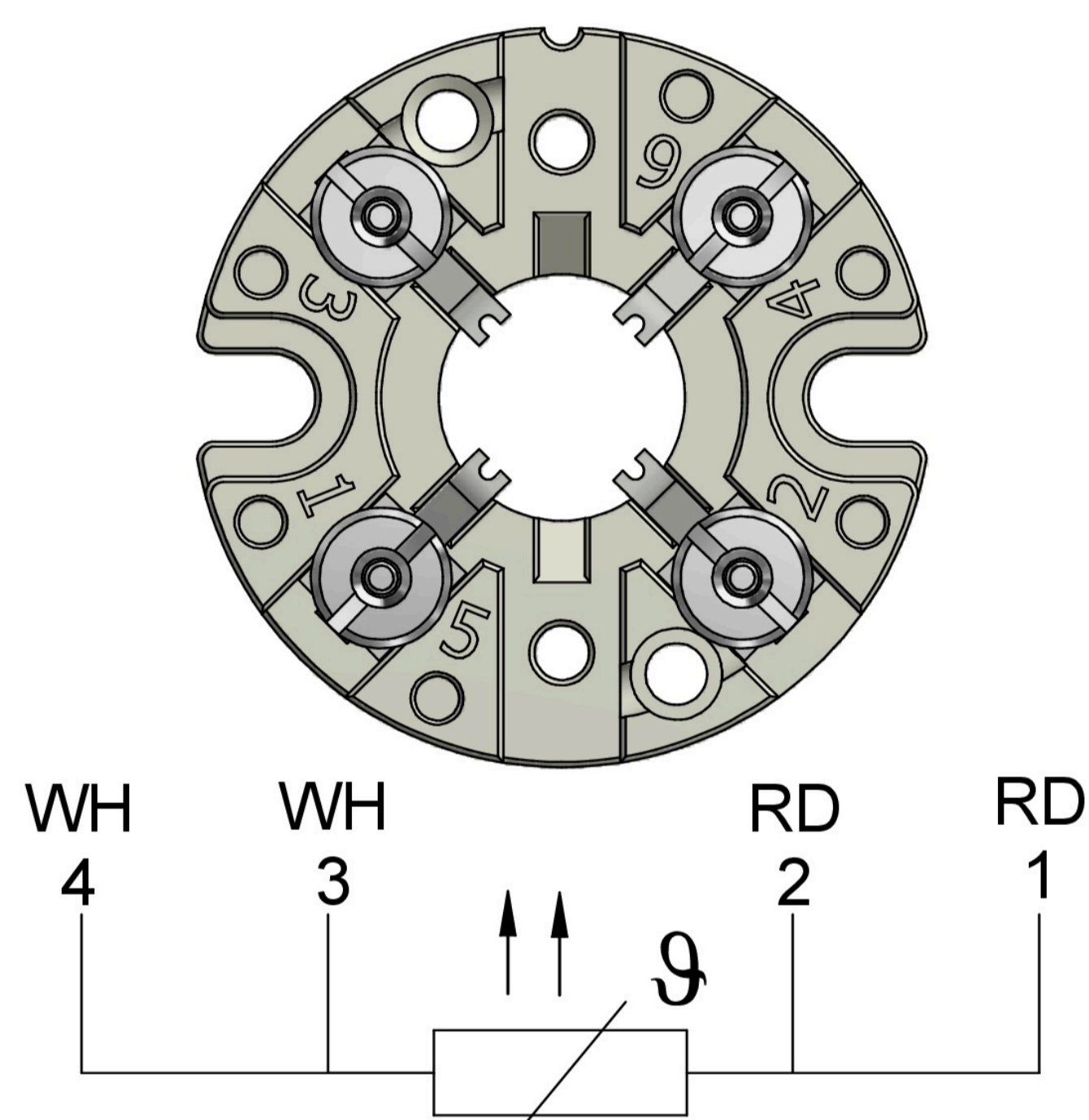
connection head model BA-KLH  
M24 x 1,5



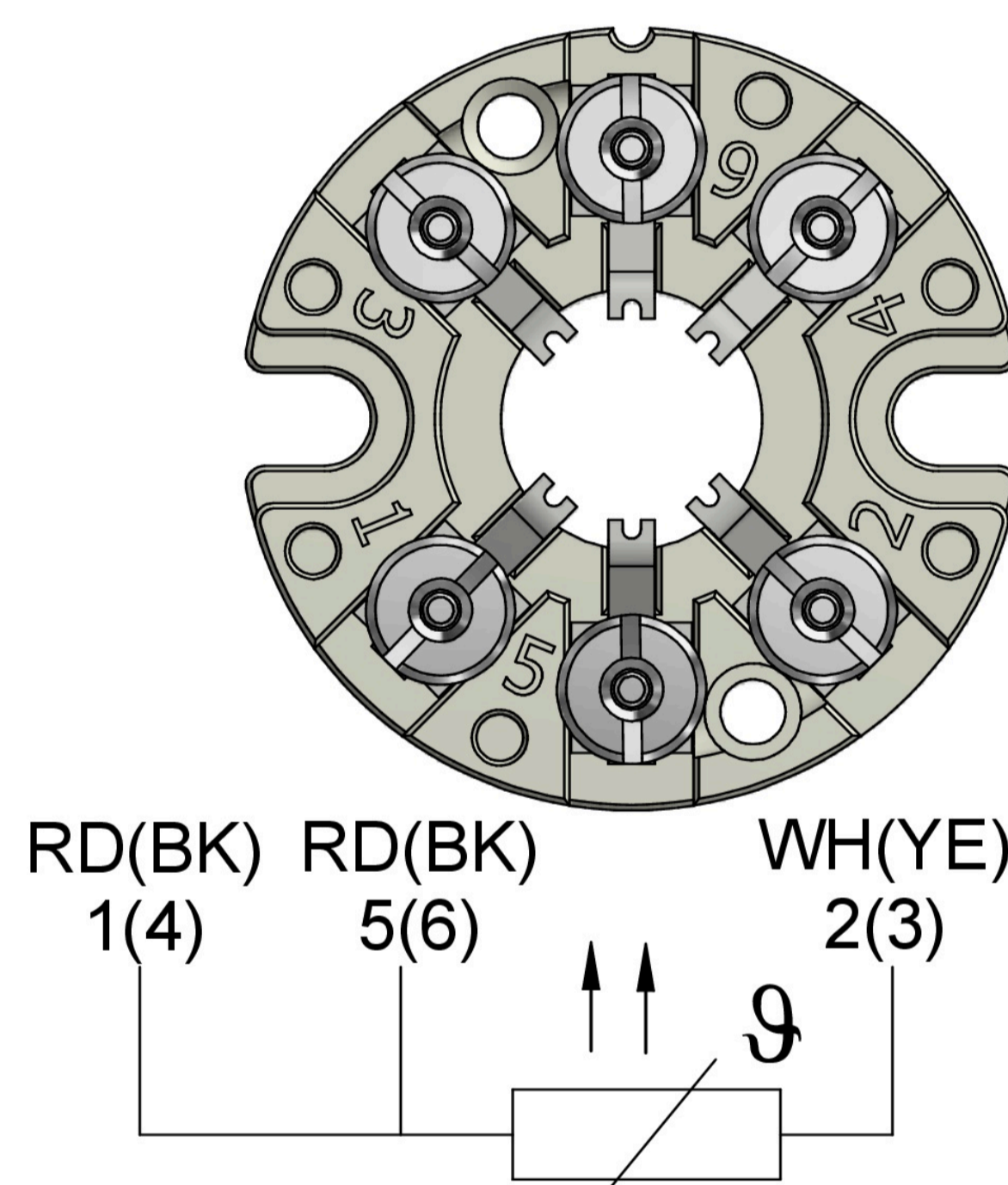
connection head model BA-KSH  
M24 x 1,5



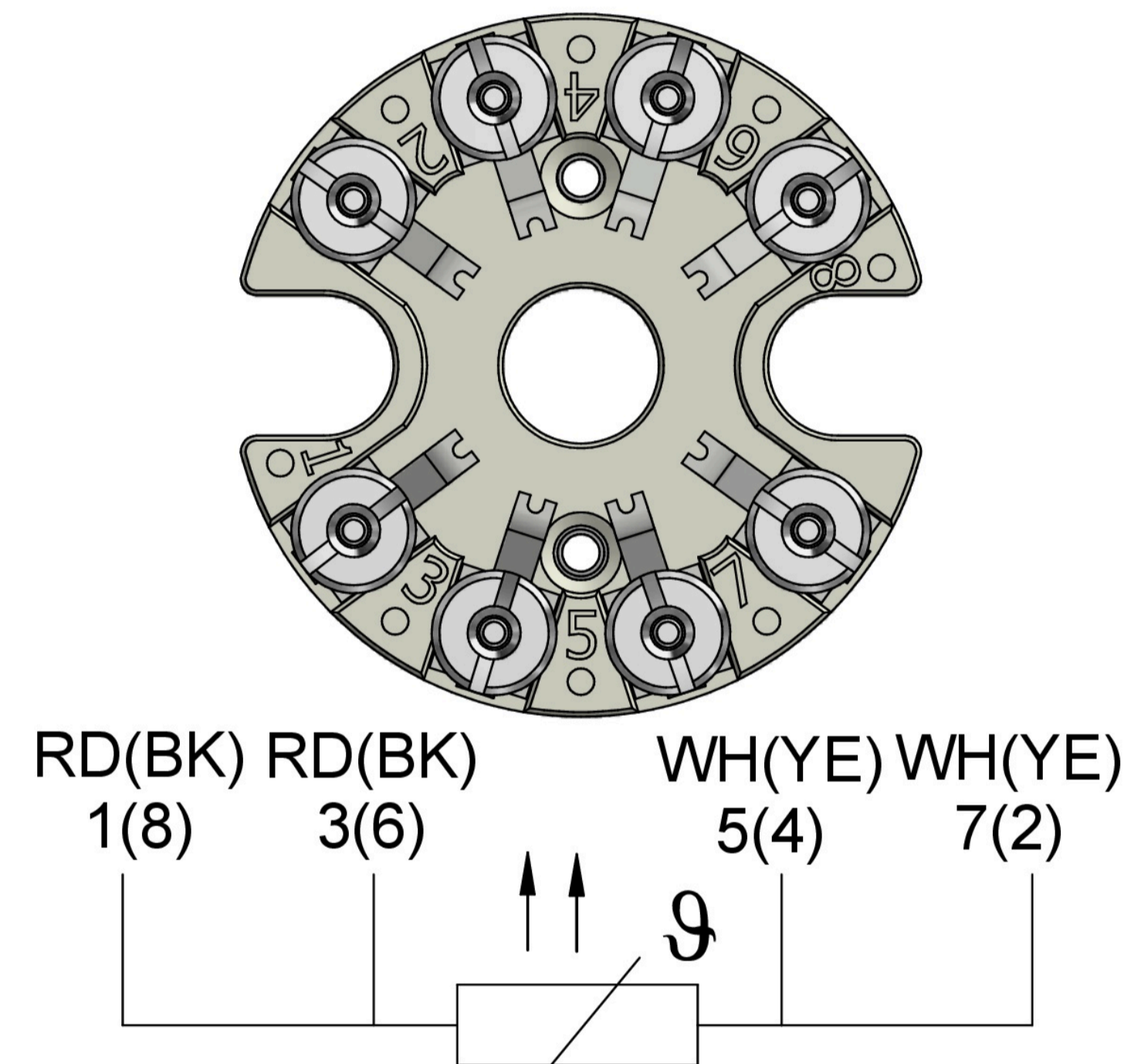
terminal base  
1 x PT100 3 wire



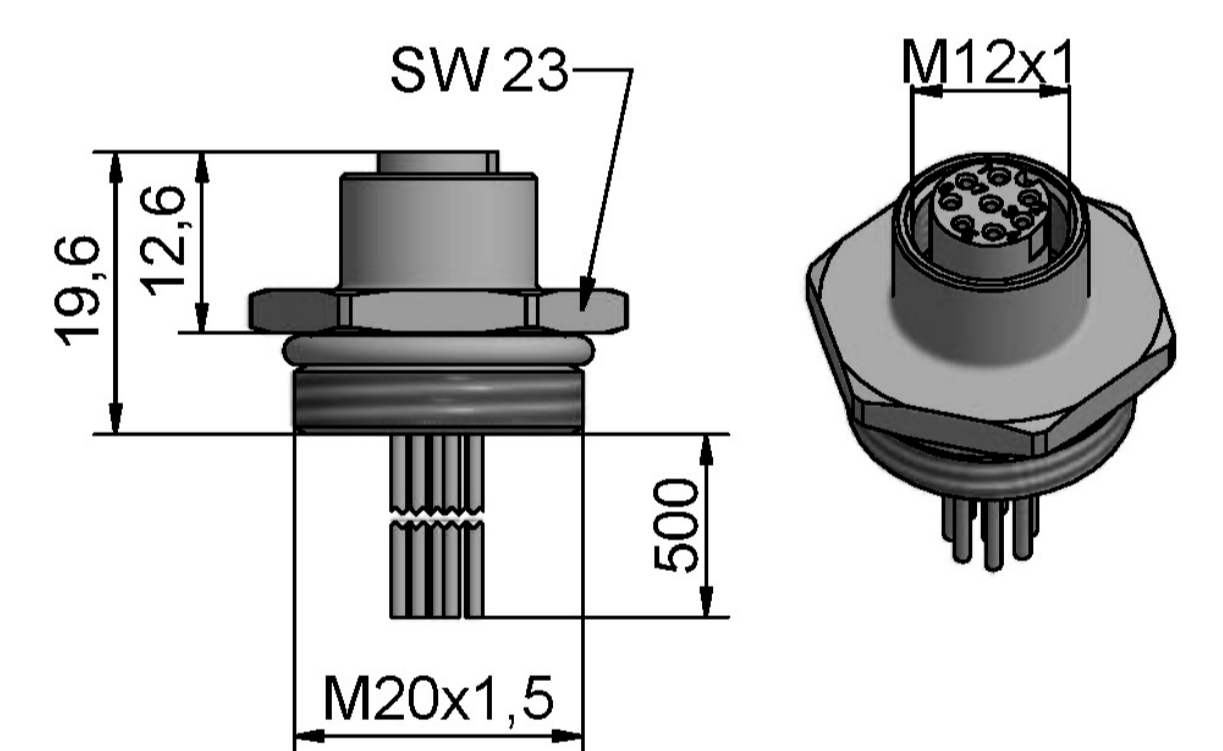
terminal base  
1 x PT100 4 wire



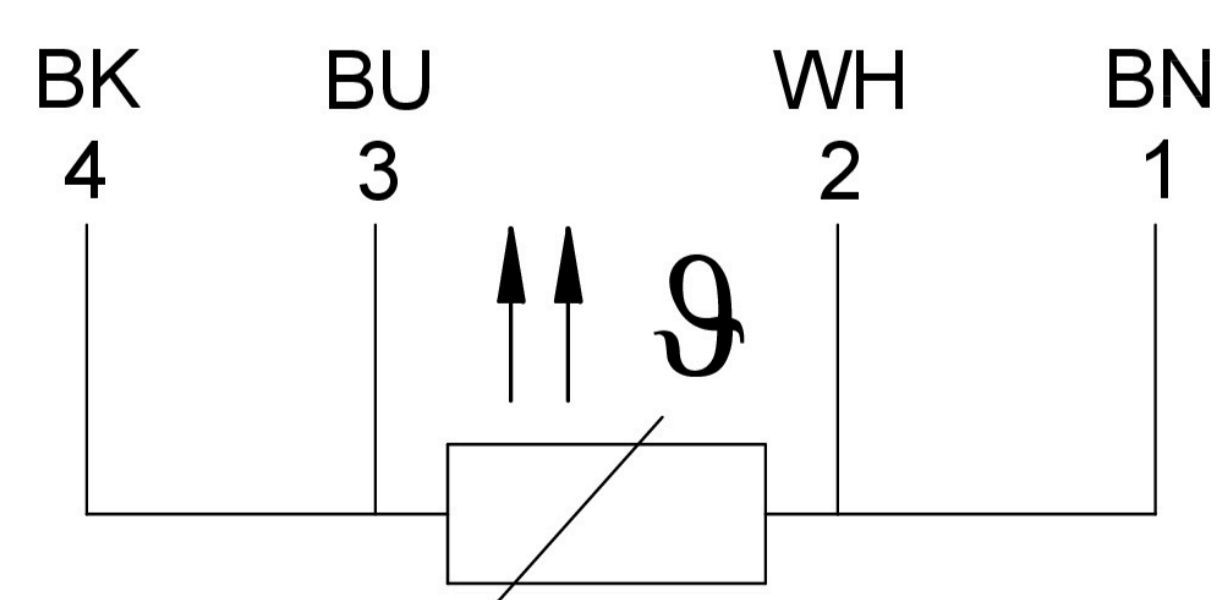
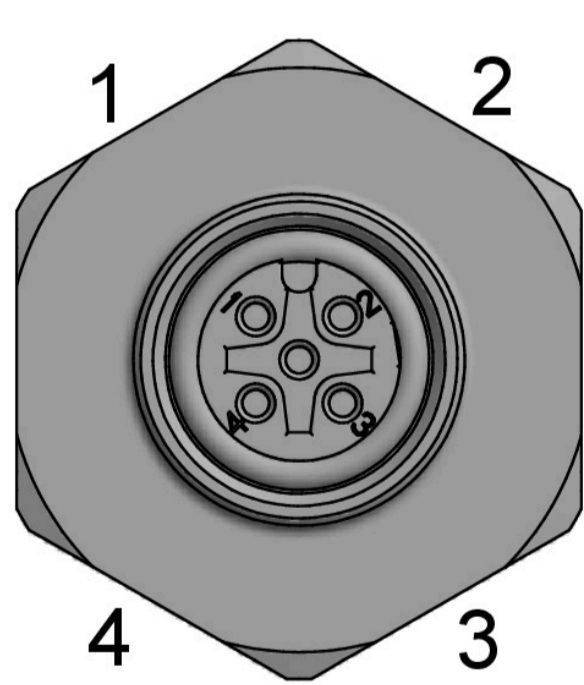
terminal base  
2 x PT100 3 wire



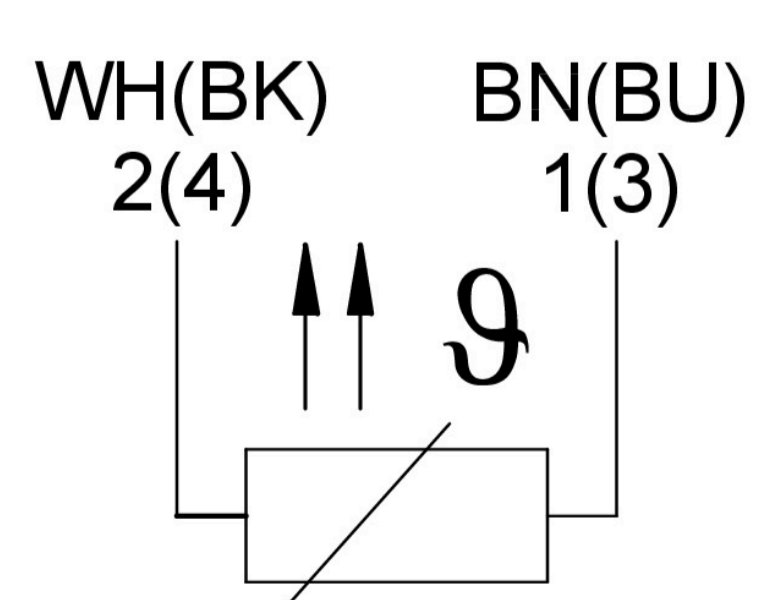
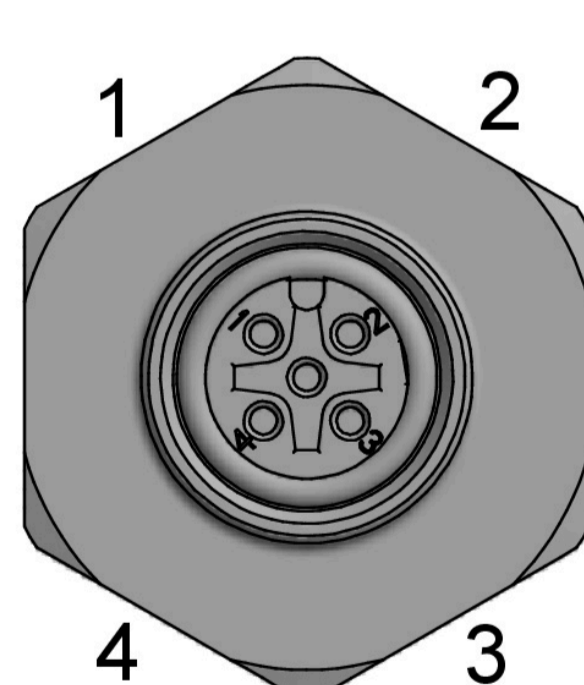
terminal base  
2 x PT100 4 wire



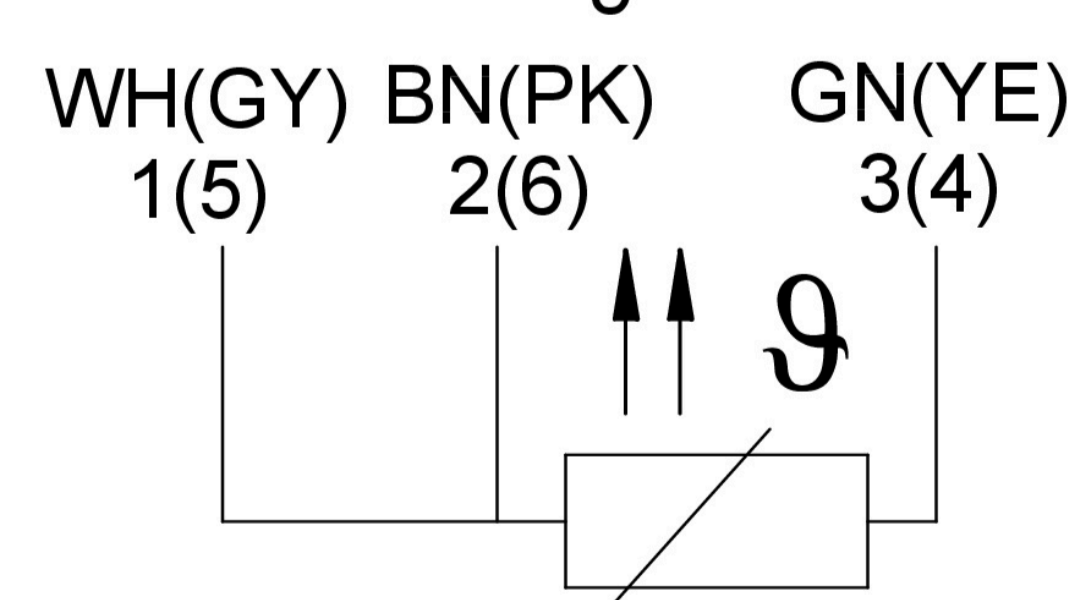
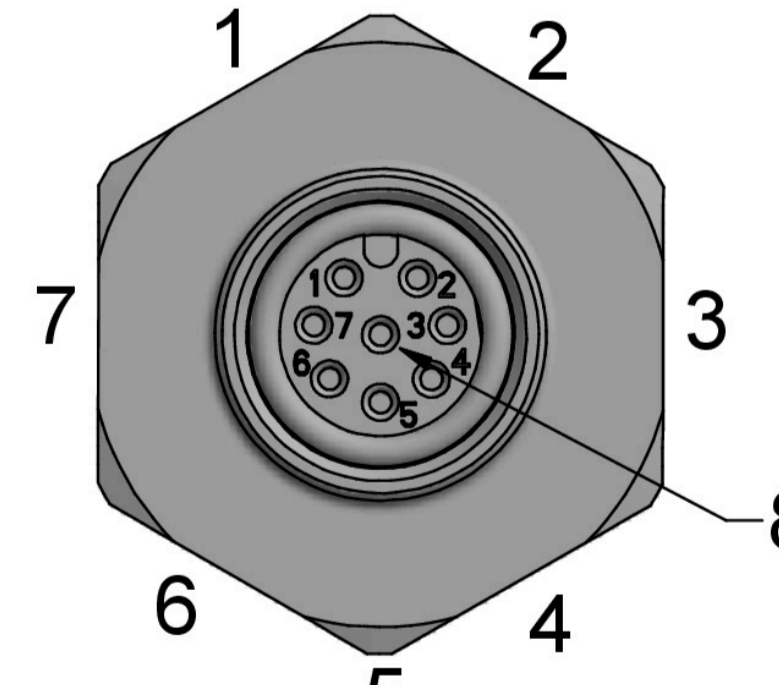
M12 insert socket  
8 - terminal



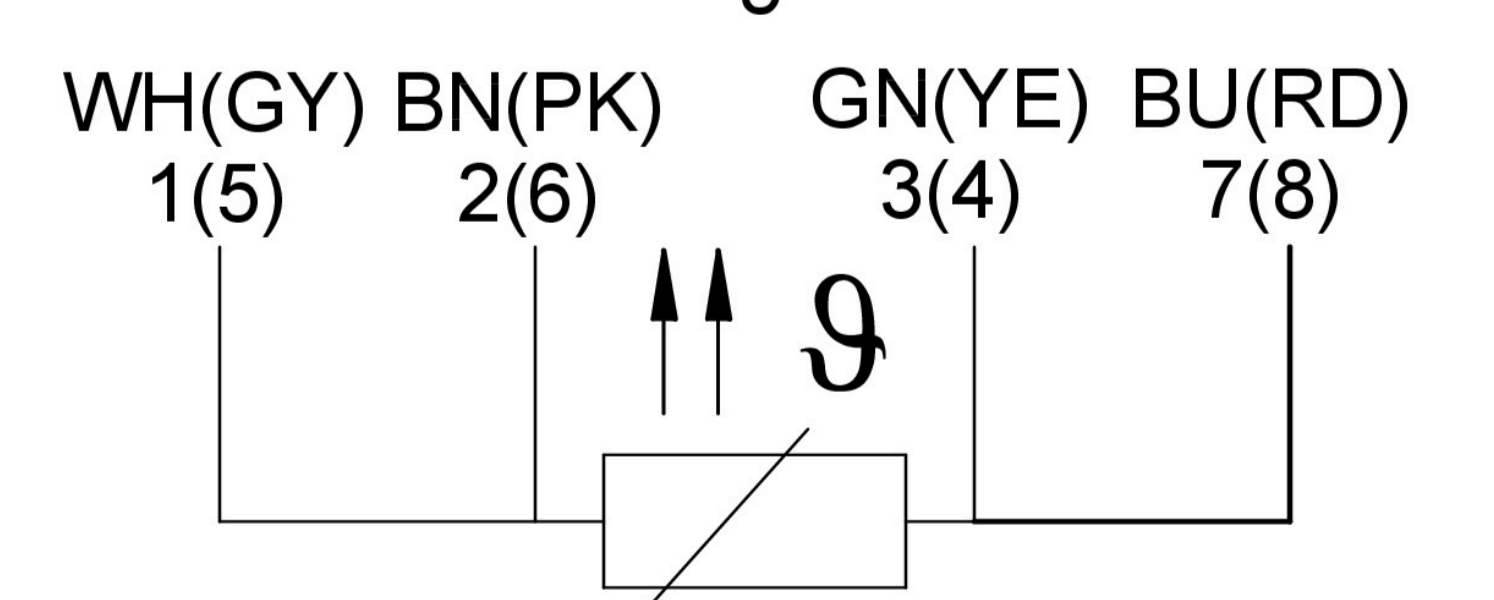
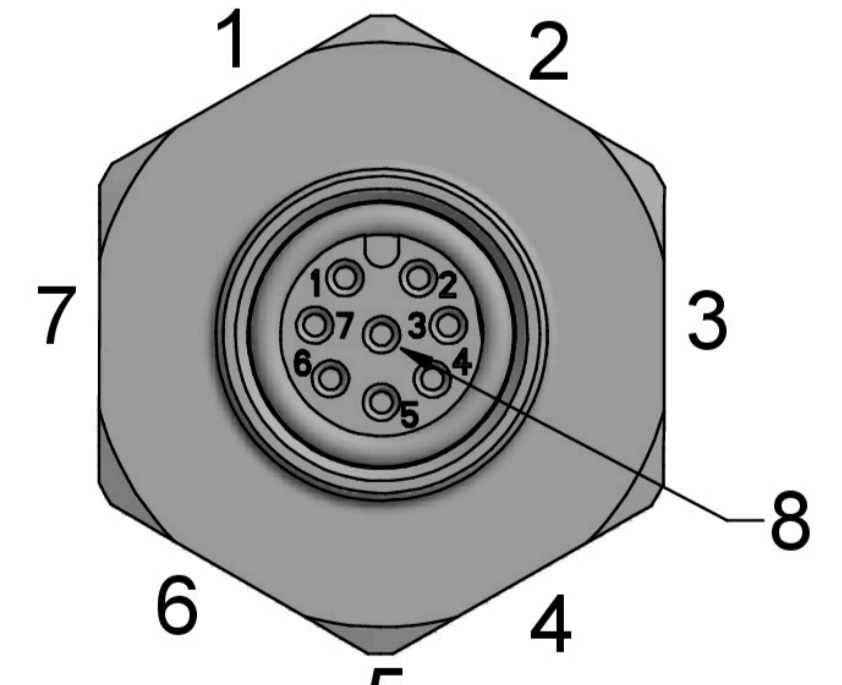
M12 insert socket  
1 x PT100 4 wire



M12 insert socket  
2xPT100 2 wire



M12 insert socket  
2xPT100 3-wire



M12 insert socket  
2xPT100 4-wire