

Resistance Temperature Detector R15 model 4F

RTD with protection tube model 4 according or similar to DIN 43772

In general

The temperature sensors manufactured by Reckmann GmbH (R58®) are solely intended for the measurement of process temperatures in solid, liquid and gaseous media.

This type allows a separate project planning and production of plant components and sensors. By advance delivery of the thermowell (D-sleeve fig. 1/6) the plant components can already be manufactured and pressure tested. The installation of the temperature sensor can then be done by simply screwing the RTD in the process connection of the thermowell.

Application area:

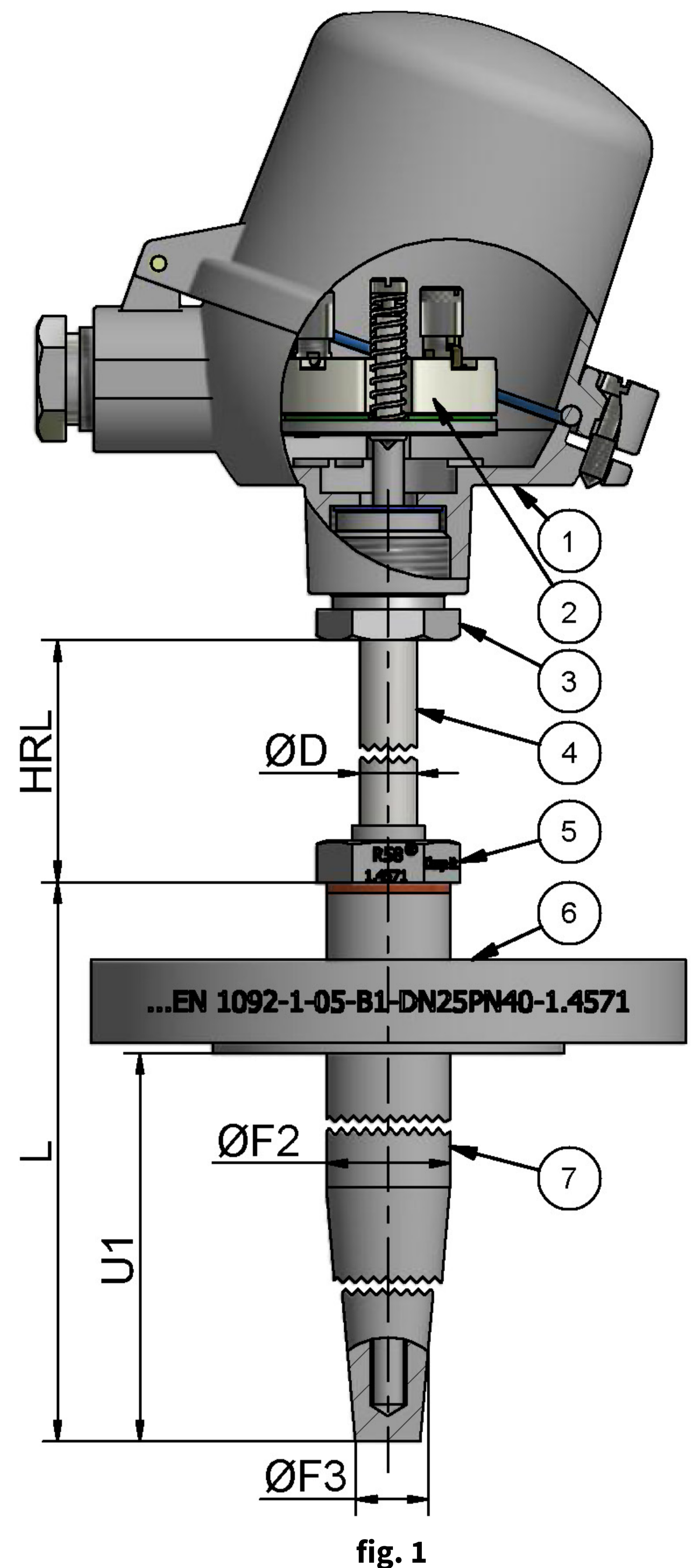
Autoclave, machine and plant engineering, chemicals industry, food and beverage industry, power plant technology, pipeline construction, air conditioning technology.

For installation please see our operating manual for resistance temperature detectors (RTD).

Stock-number-code:1R15-D1.

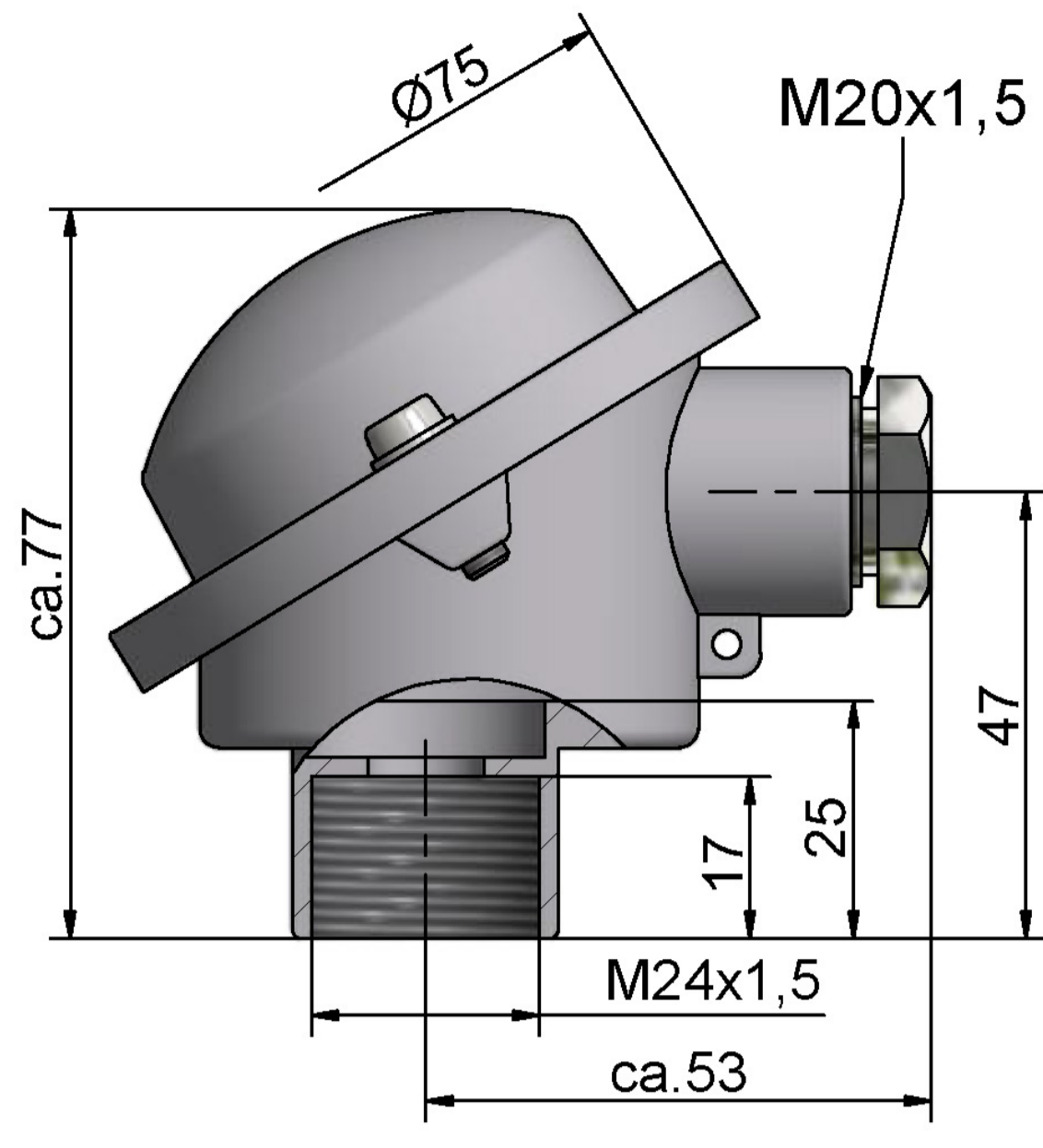
Technical datas

- **Connection head** (fig. 1/1) according to DIN EN 50446.
Standard connection heads: Form B, B-G12, B-KL, B-VA, BA-KL, BA-KLH, B-KUKL, B-KUHKL. Dimension see page 2.
- **Protection shell** (fig. 1/3 up to 7) according or similar to DIN 43772.
Standard material 1.4571.
Standard - neck tube (fig. 1/4) diameter 11x2x140 mm.
- **Process connection** (fig.1/6) is via flange weld-in sleeve (D-sleeve) :
Standard lengths (L and U) 140/65 mm, 200/65 mm, 200/125 mm and 260/125 mm.
Standard thread (N) M14x1,5 or M18x1,5 with welded blind flange according to DIN EN 1092-1 type 05 or ASME B 16.5, Standard flanges DN25 PN40 / DN50 PN40 form B1, standard diameter (F2/F3) 24/12.5 mm.
- **Measuring insert**(fig.1/2) replaceable according to DIN 43735.
Sensor depending on use:
thin film or ceramic according to IEC / EN 60751, standard in 1 x 3-, 1 x 4-, 2 x 3- or 2 x 4 wire-circuit.
Recommended operating temperature on the measuring tip depended on accuracy class according to IEC / EN 60751
Operating temperature PT100
- 50°C up to + 500°C for thin film sensors,
- 200°C up to + 600°C for ceramic sensors,
- 200°C up to + 450°C for glass sensors,
Sheath material according to IEC / EN 61515.
Standard material 1.4404.
Standard diameter 3 or 6 mm.
- **Optional:** on request other materials, diameter or with transmitter.

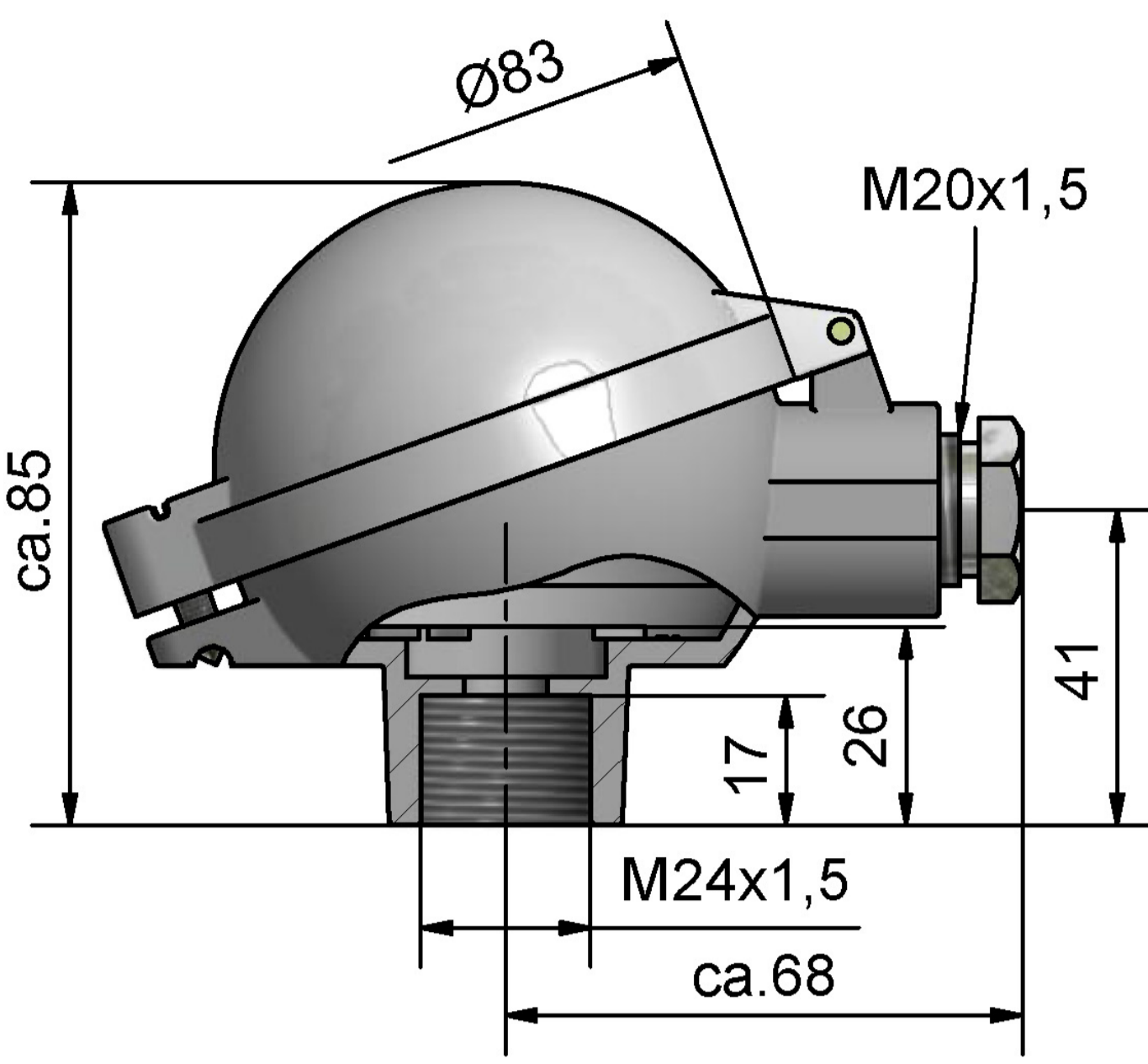


Optional connecting heads / circuit diagram

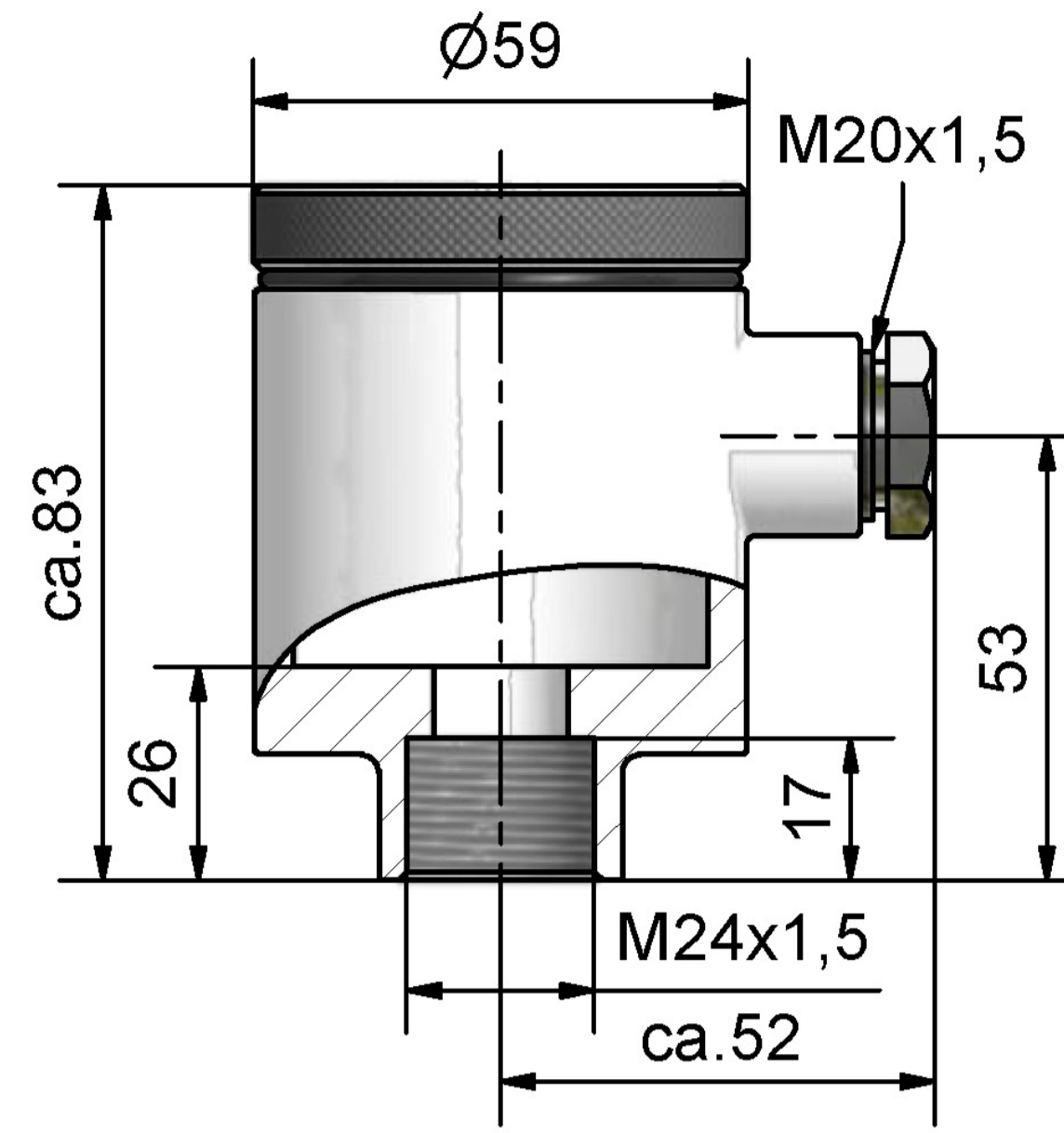
Alternative to the cable gland a M12 insert plug is possible.



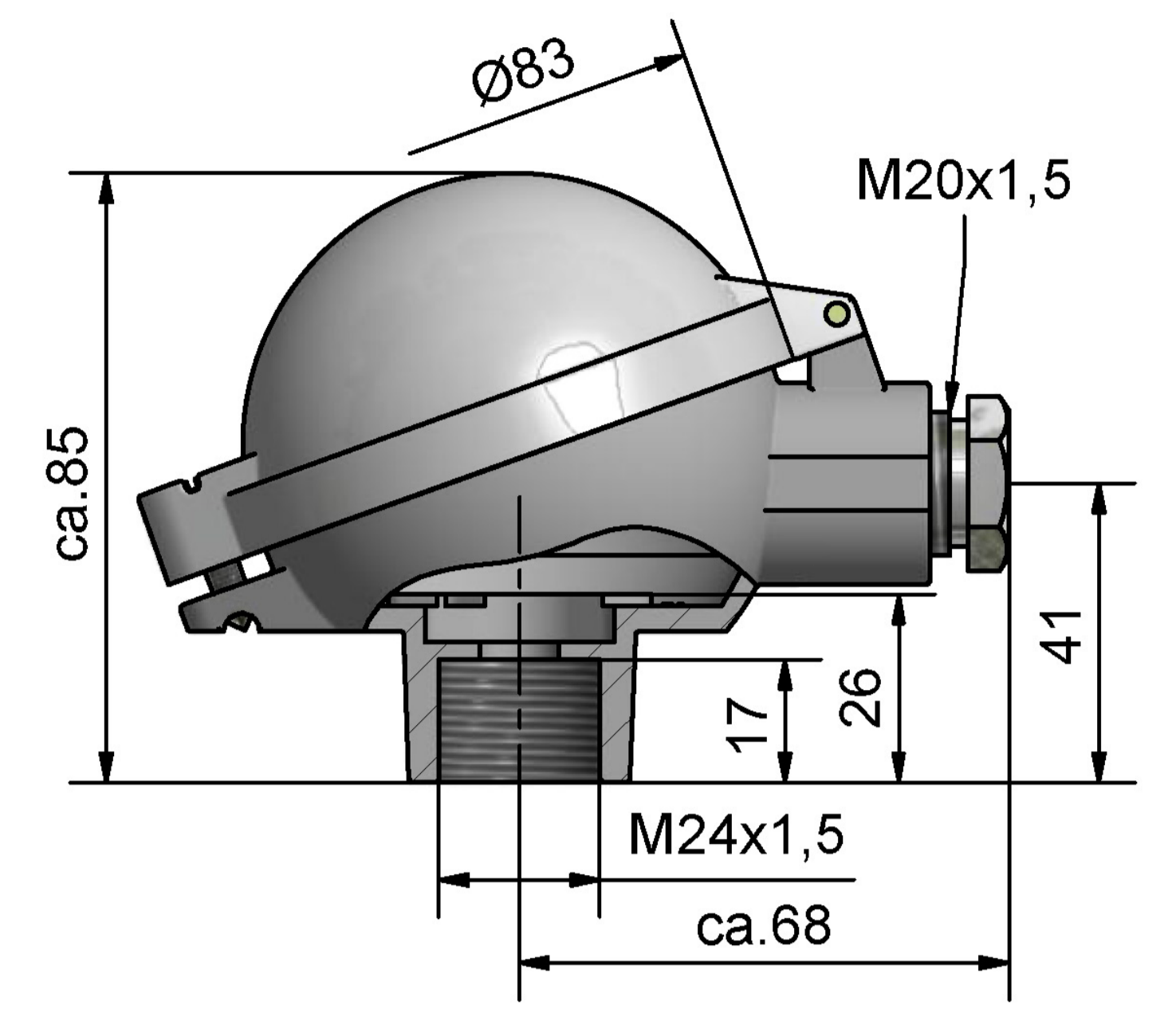
connection head model B-G12
M24 x 1,5



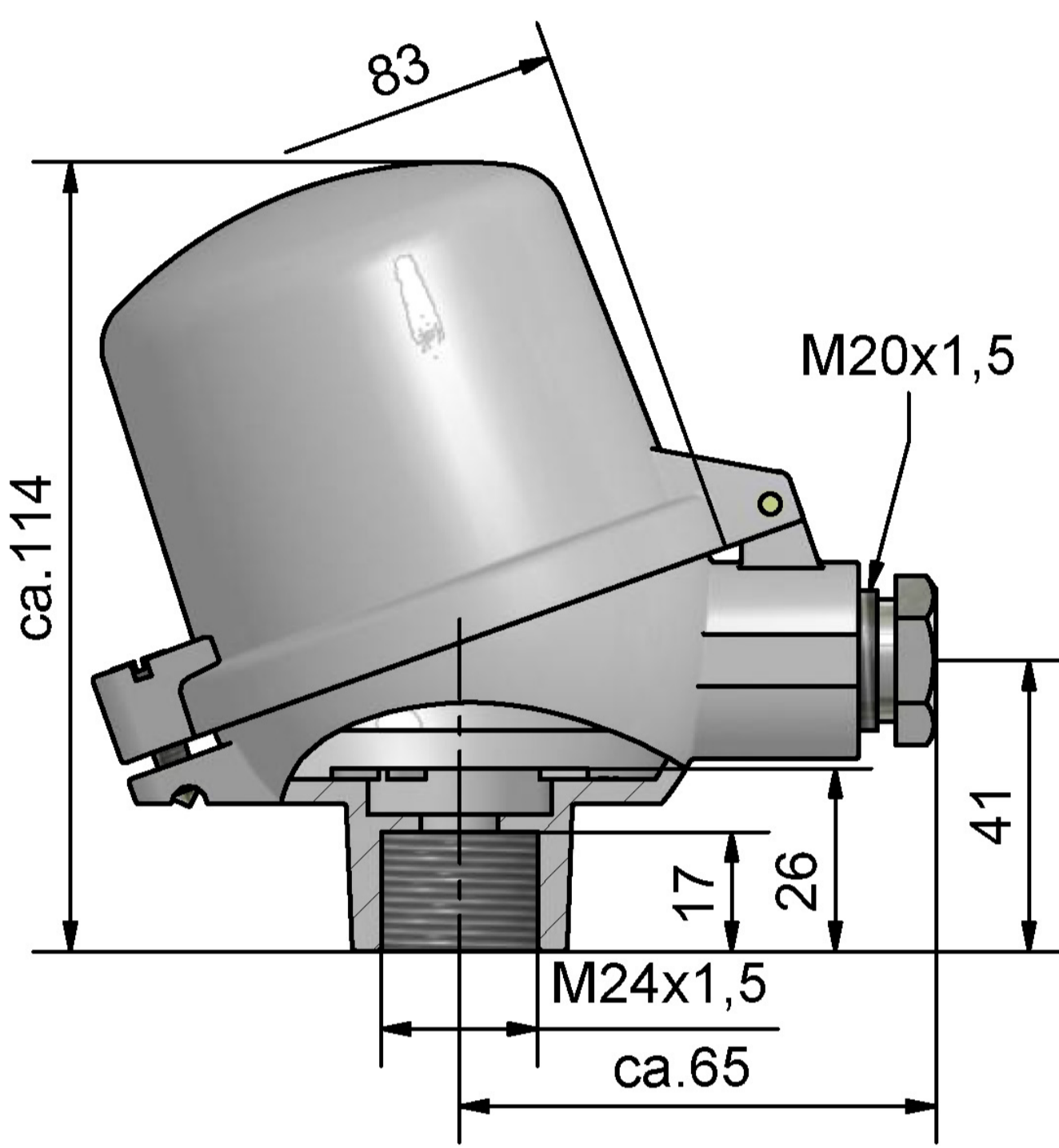
connection head model B-KL
M24 x 1,5



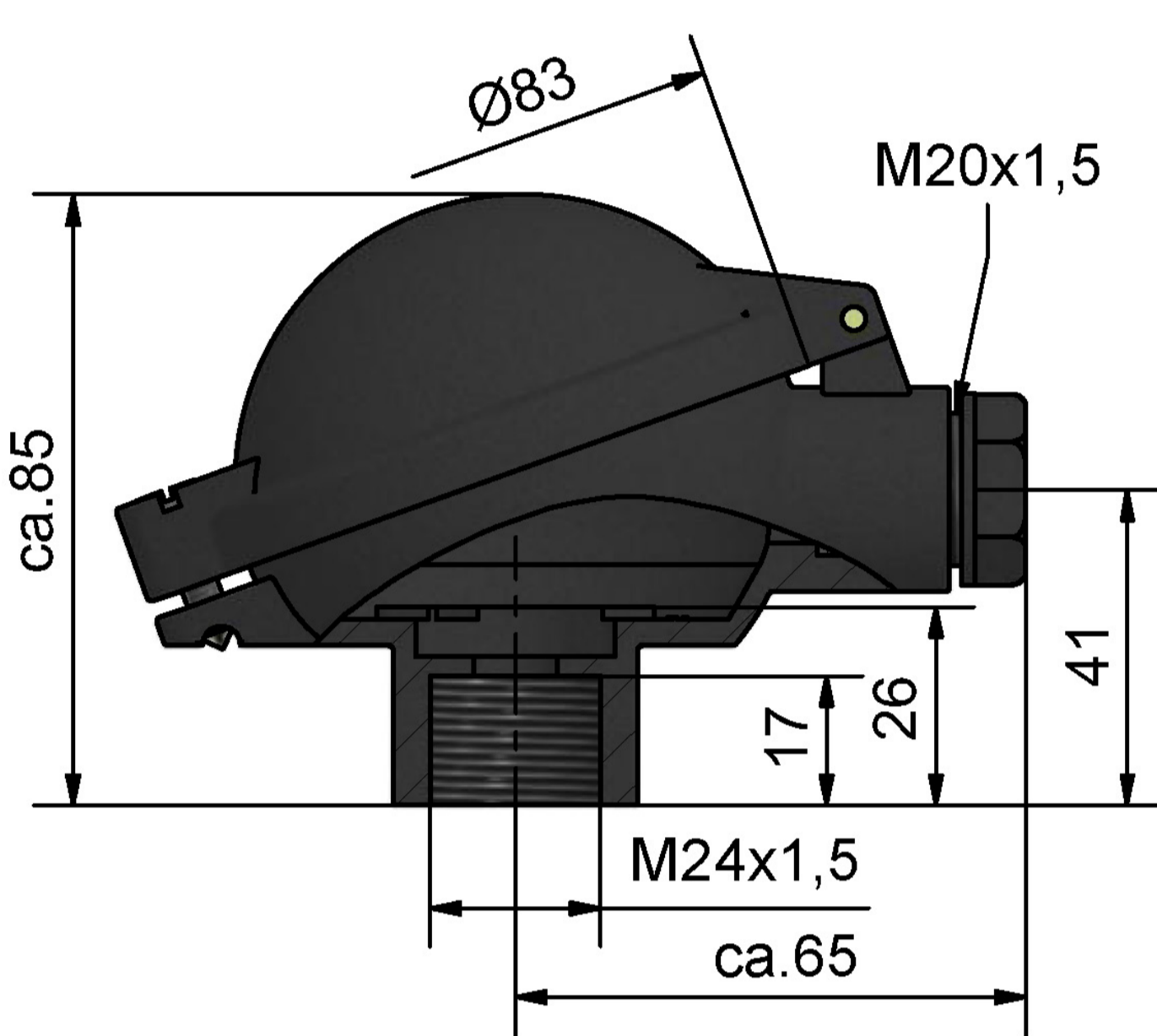
connection head model B-VA
M24 x 1,5



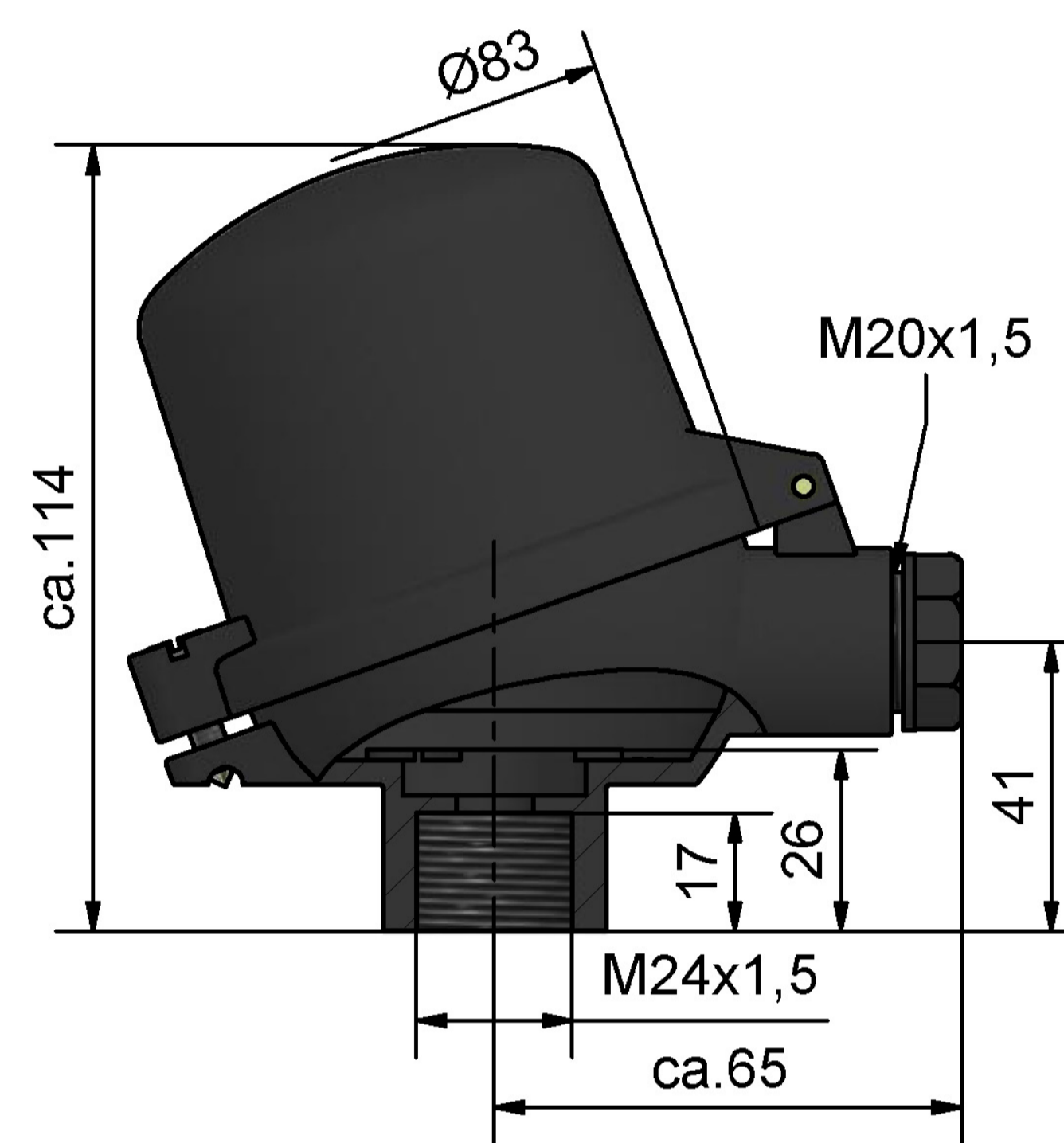
connection head model BA-KL
M24 x 1,5



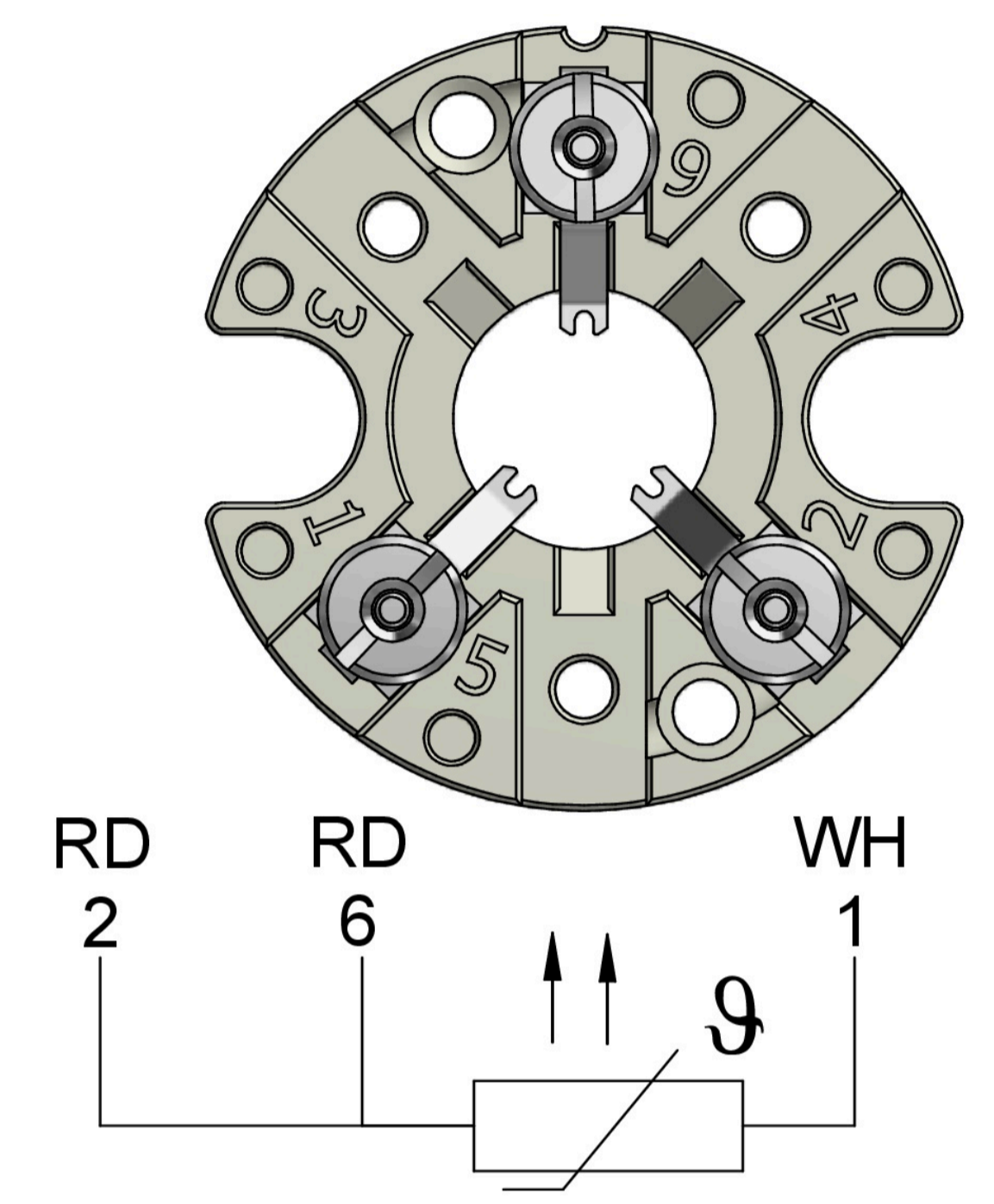
connection head model BA-KLH
M24 x 1,5



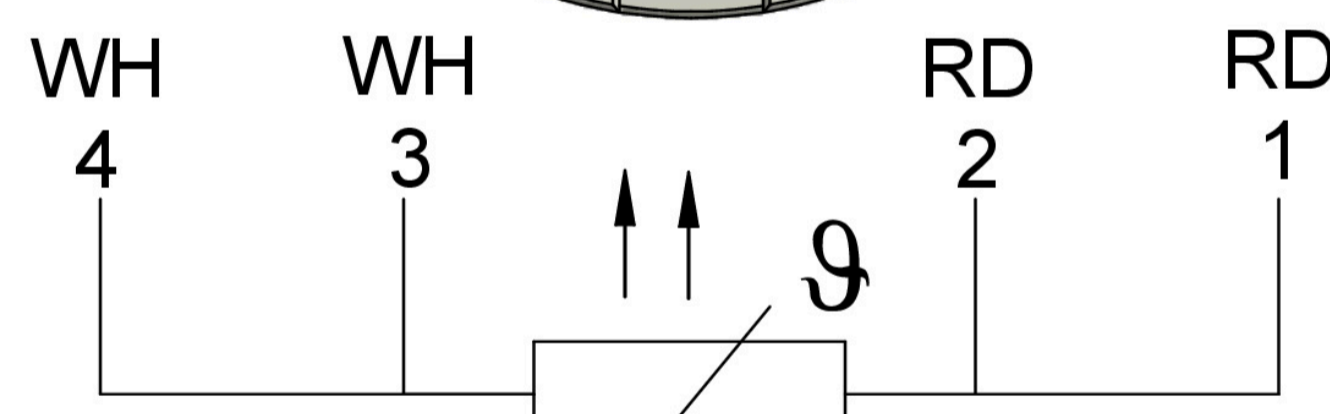
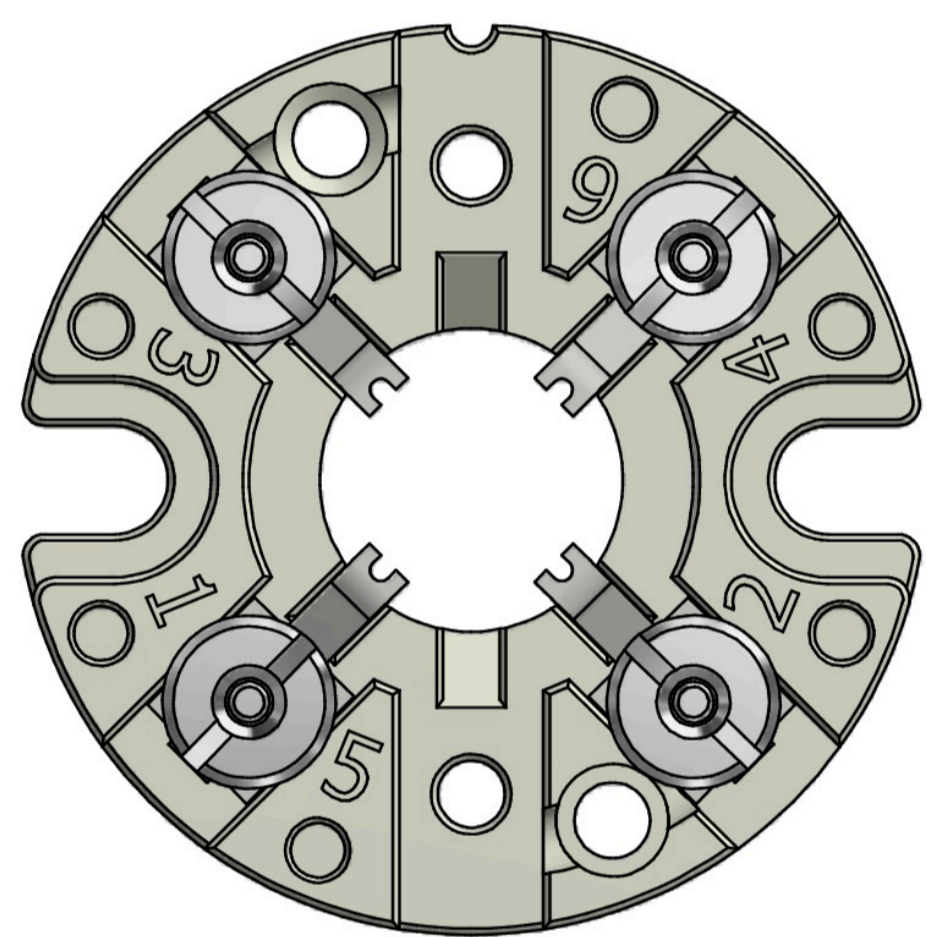
connection head model B-KUKL
M24 x 1,5



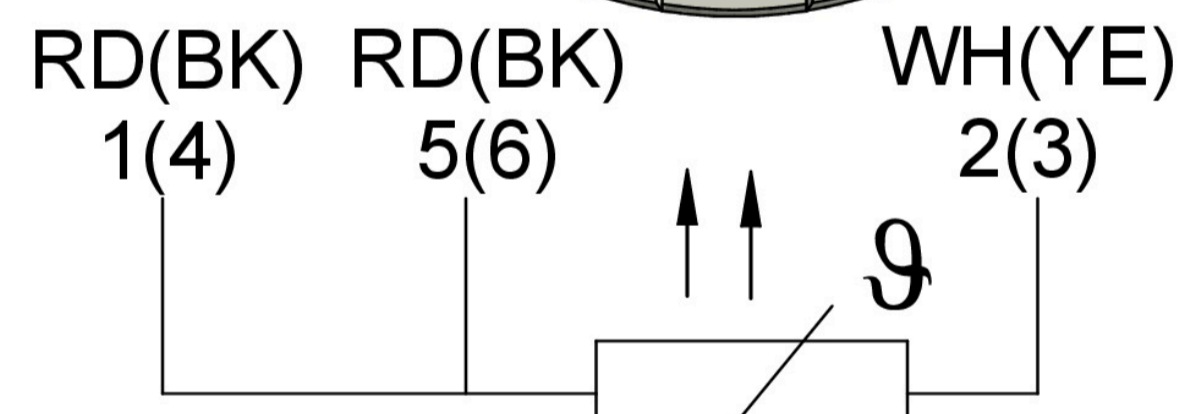
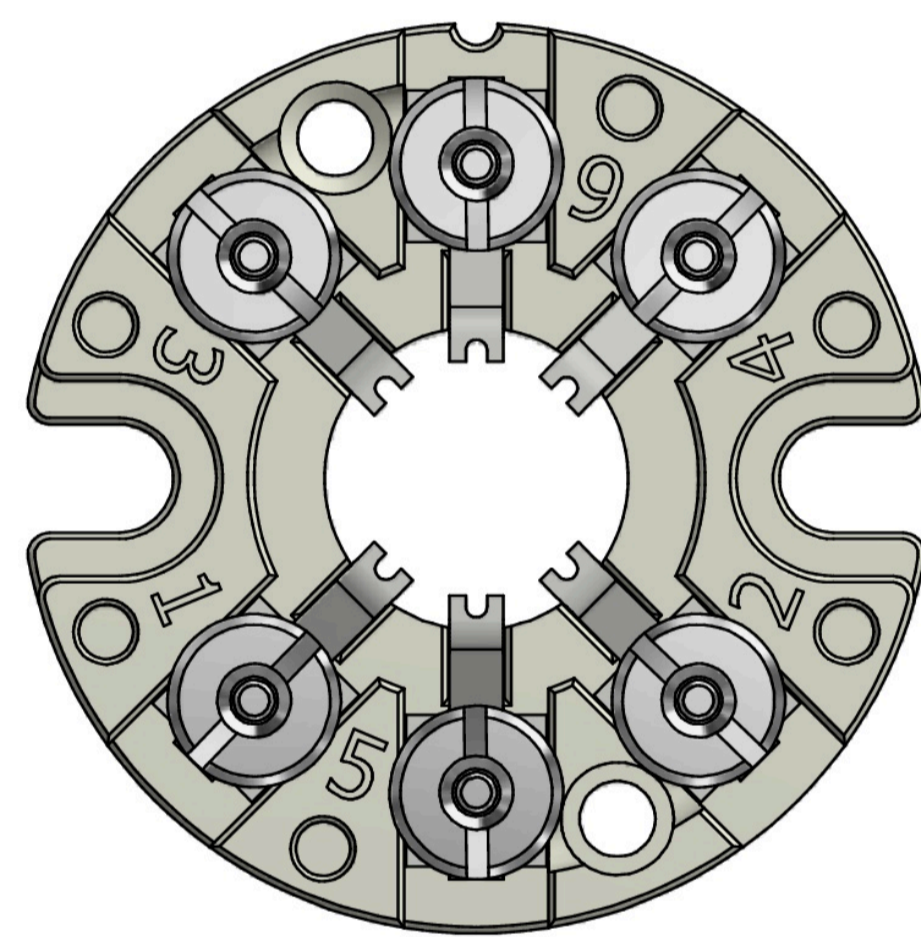
connection head model B-KUHKL
M24 x 1,5



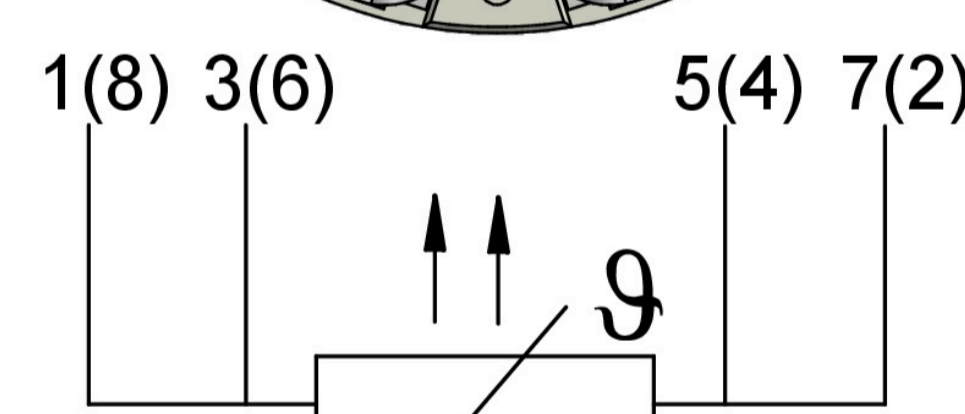
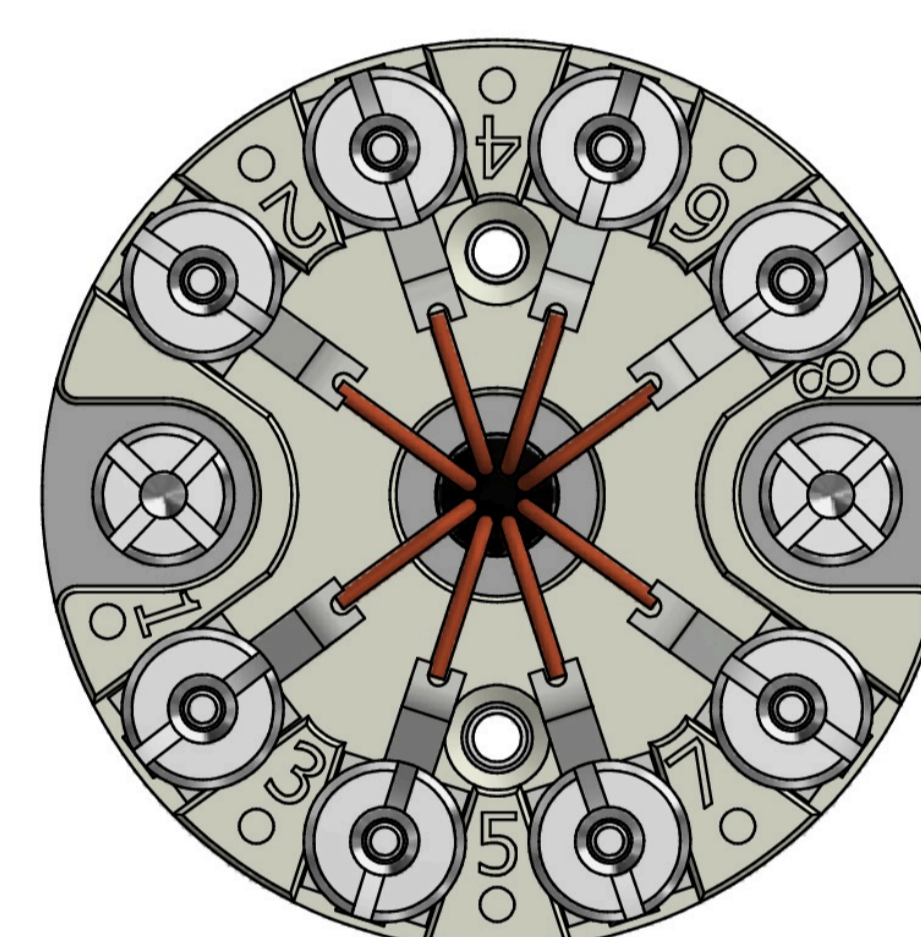
terminal base
1 x PT100 3 wire



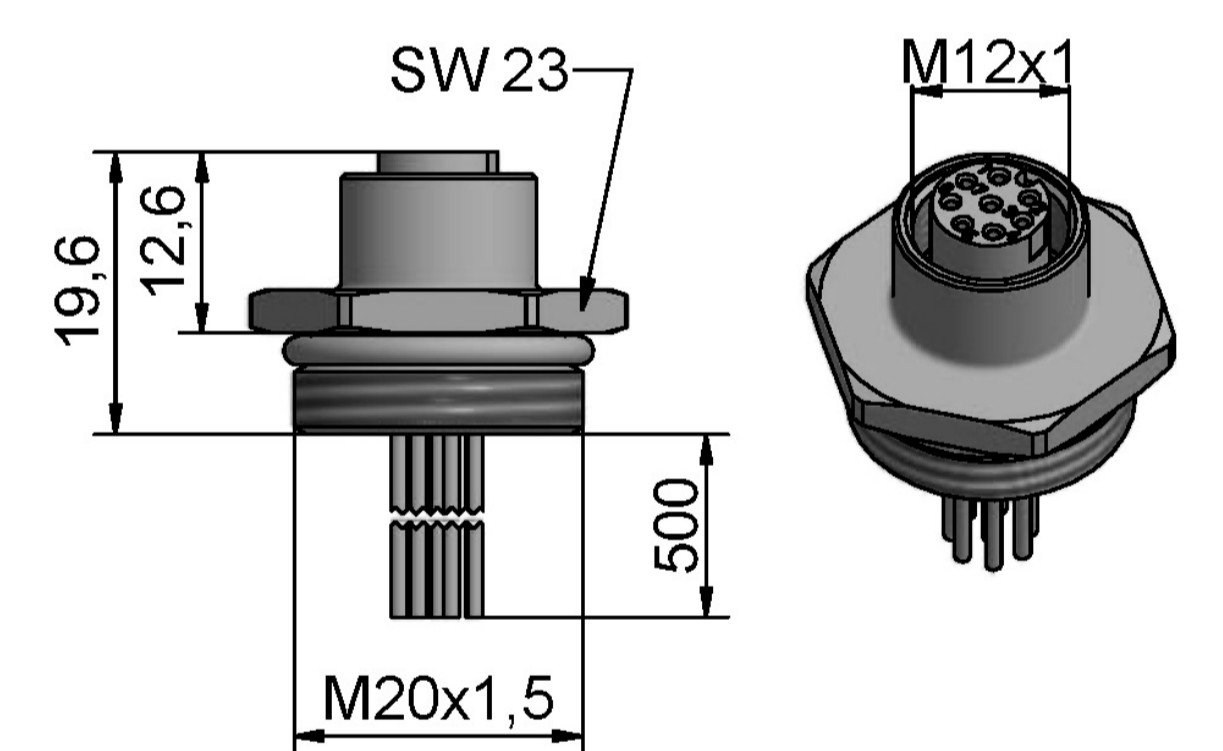
terminal base
1 x PT100 4 wire



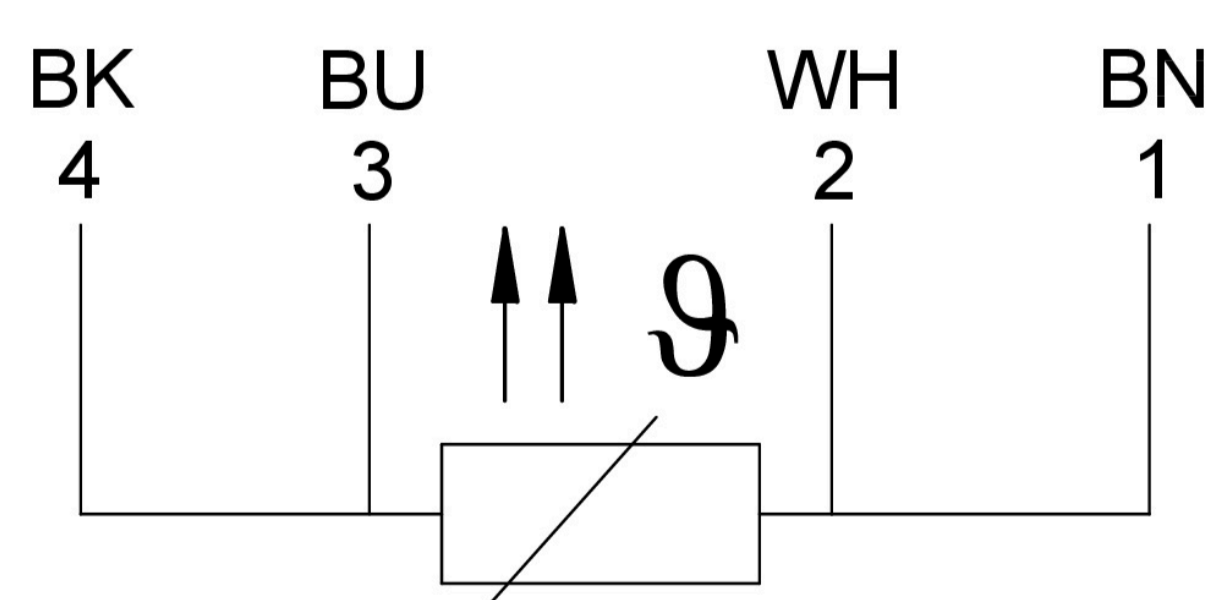
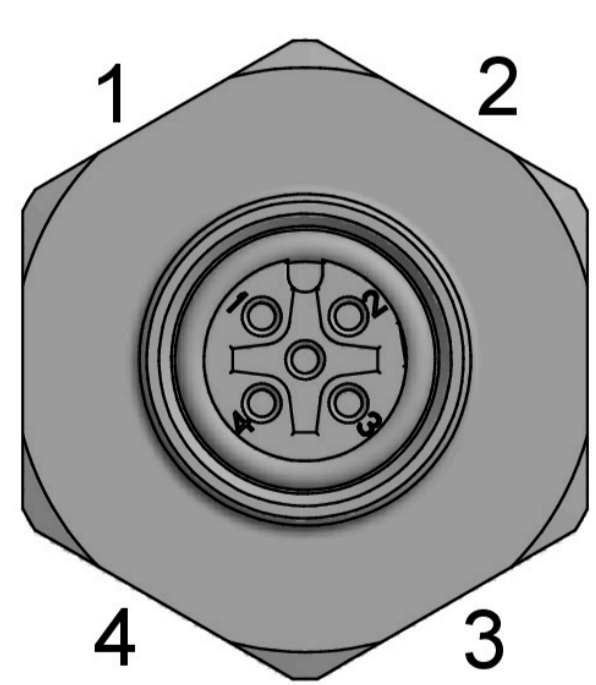
terminal base
2 x PT100 3 wire



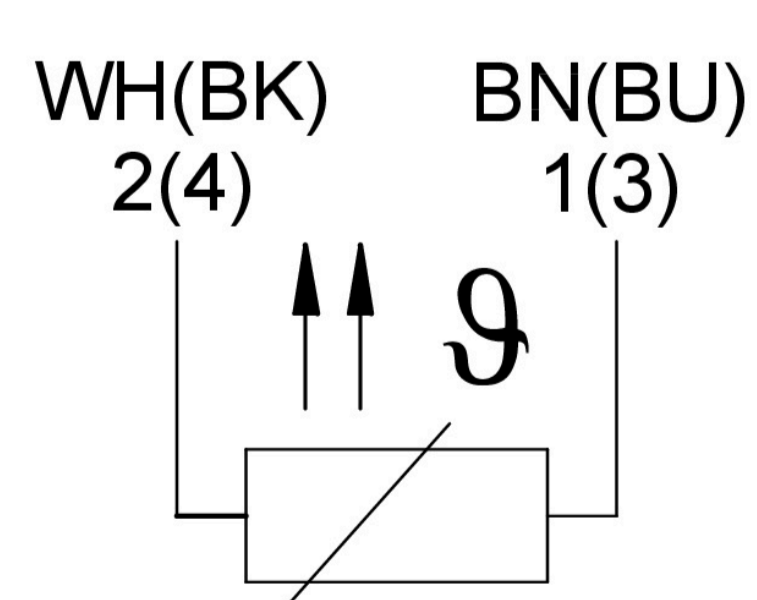
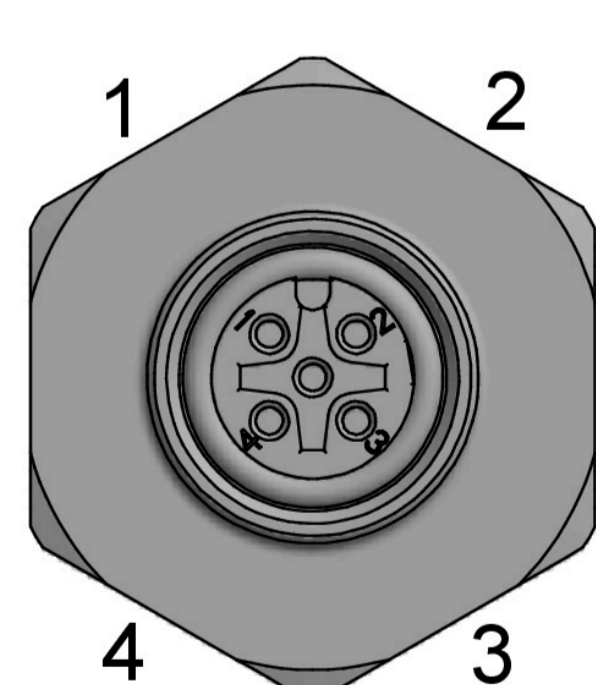
terminal base model B
2xPT100 4-wire



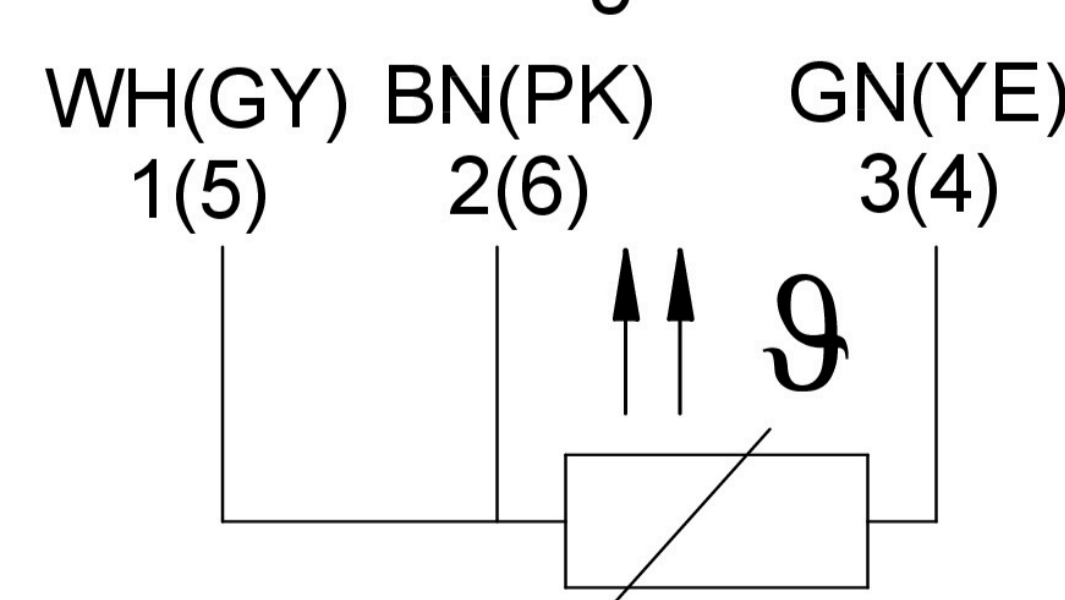
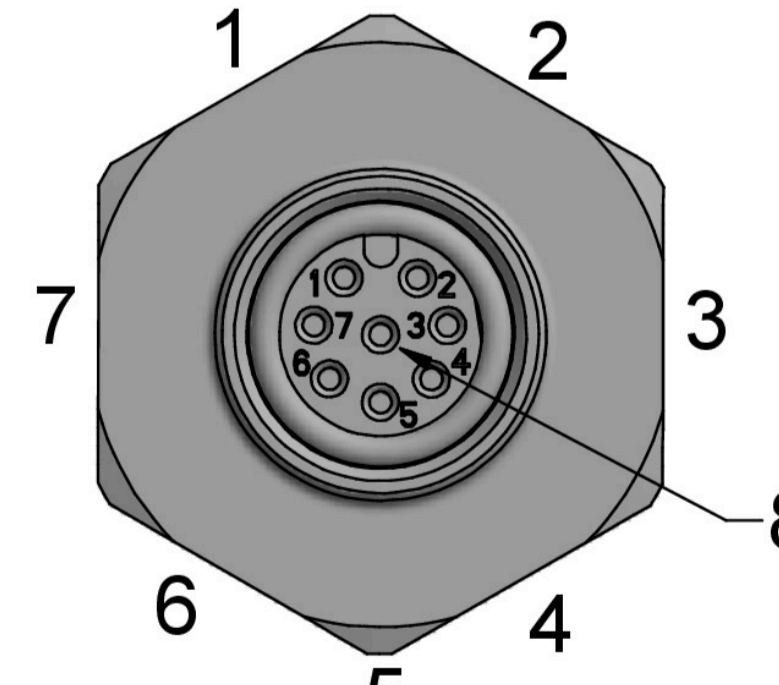
M12 insert socket
8-terminal



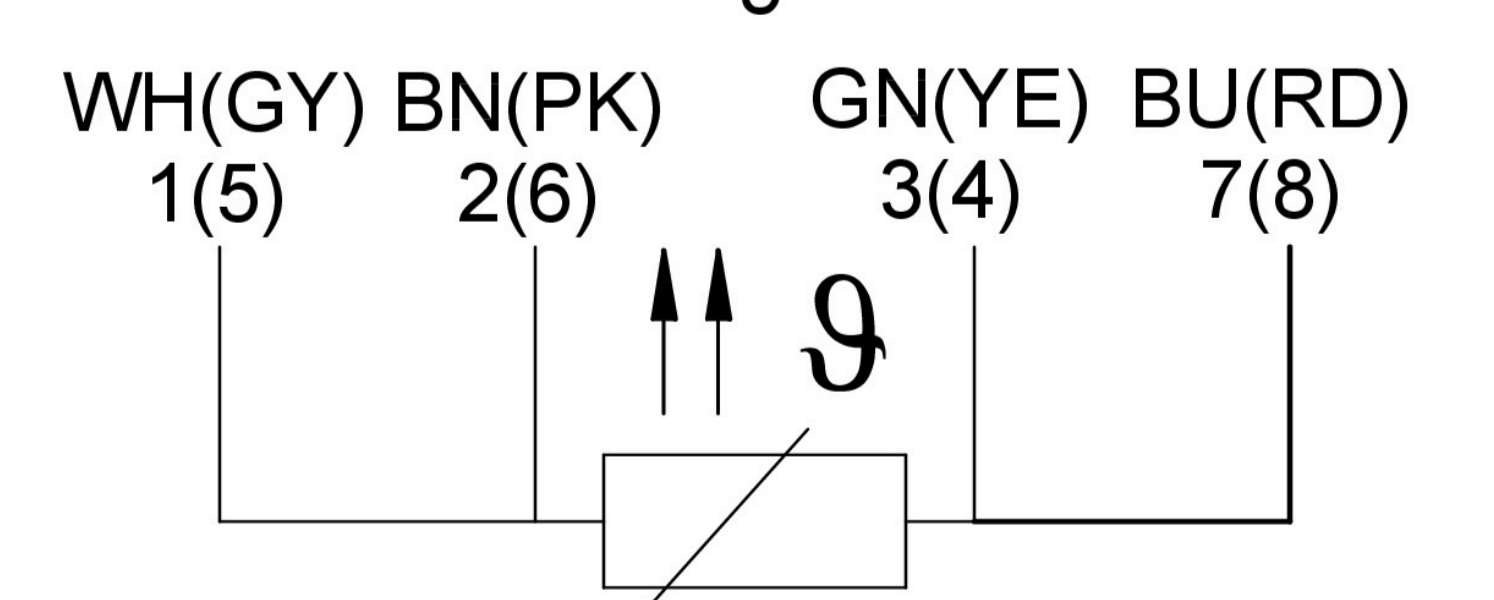
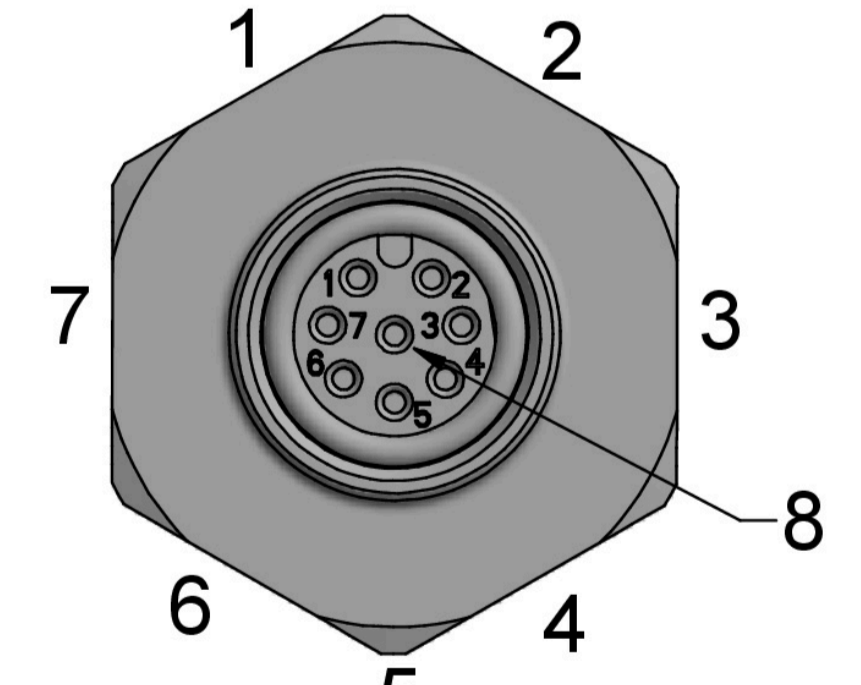
M12 insert socket
1 x PT100 4 wire



M12 insert socket
2xPT100 2 wire



M12 insert socket
2xPT100 3-wire



M12 insert socket
2xPT100 4-wire