

Resistance Temperature Detector model 3G

RTD with protection tube model 3G according or similar to DIN 43722

In general

The temperature sensors manufactured by Reckmann GmbH (R58®) are solely intended for the measurement of process temperatures in solid, liquid and gaseous media. This model allow a directly screw in into the process connection of a autoclave or pipeline. The tapering reduces the response time.

Application area:

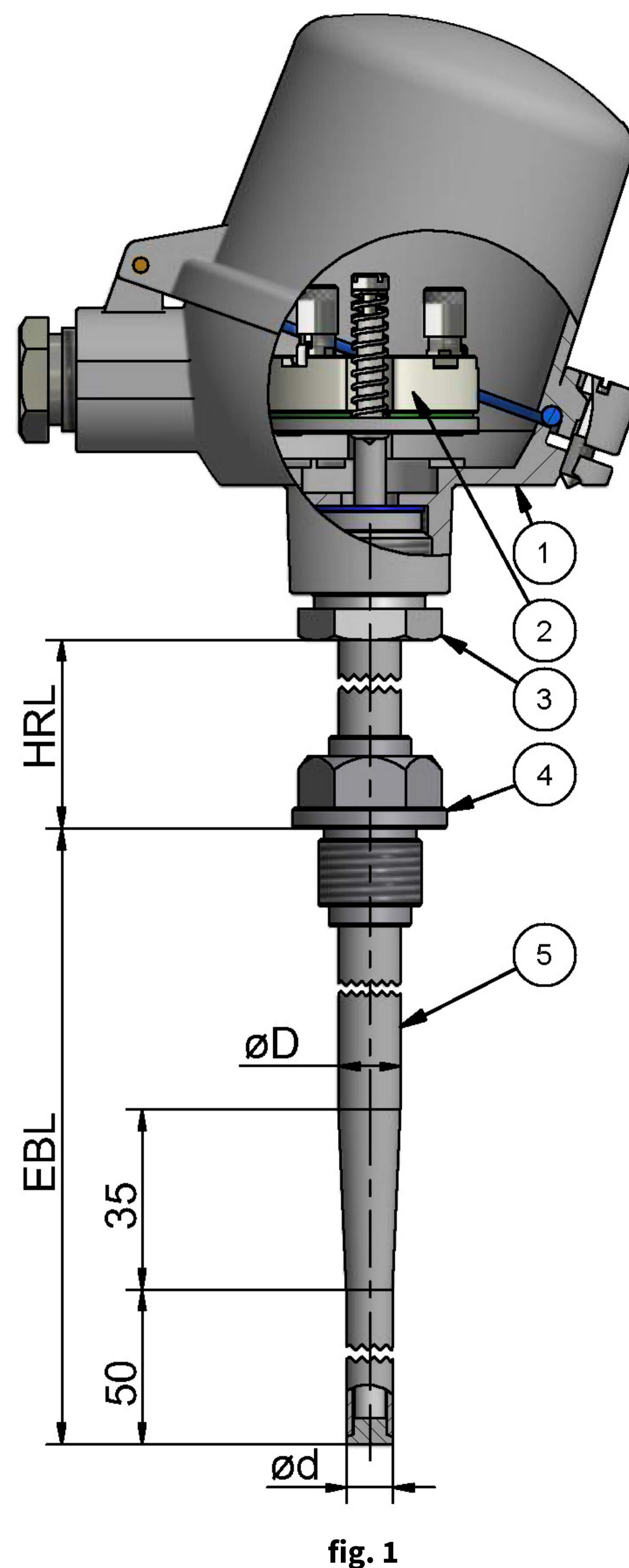
Autoclave, machine and plant engineering, chemicals industry, power plant technology, industry of building materials, recycling.

For installation please see our operating instructins for for resistance temperature detectors(RTD).

Stock-number-code: 1R15-C2.

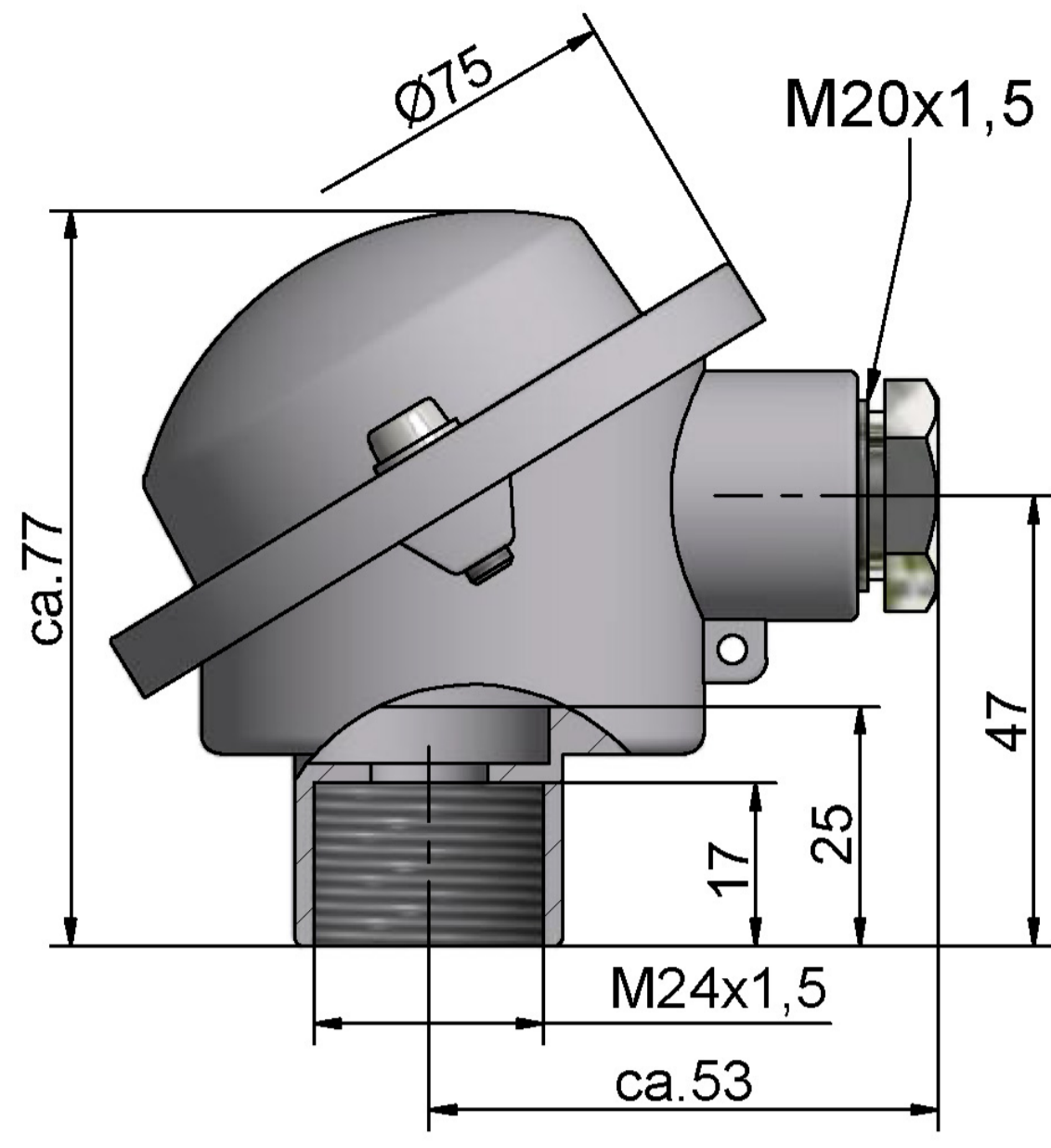
Technical datas

- **Connection head** (fig. 1/1) according to DIN EN 50446.
Standard connection heads: Form B-G12, B-KL, B-VA, BA-KL, BA-KS, BA-KLH, BA-KSH. Dimension see page 2.
- **Protection shell** (fig. 1/4 up to 5) according or similar to DIN 43772.
Standard material 1.4571 (316Ti).
Standard - D/d: 12 tapered to 9 mm.
- **Process connection** (fig.1/4) a screwed plug with all standard thread s.
Standard thread G1/2".
- **Measuring insert** (fig.1/2) replaceable according to DIN 43735.
Sensor depending on use:
thin film or ceramic according to IEC / EN 60751,
standard in 1 x 3-, 1 x 4-Leiter-, 2 x 3- or 2 x 4 - wire circuit.
Recommended operating temperature on the measuring tip depended on accuracy class according to IEC / EN 60751
Operating temperature for PT100
- 50°C up to + 500°C for thin film sensors,
- 200°C up to + 600°C for ceramic sensors,
- 200°C up to + 450°C for glass sensors.
Sheath material according to IEC / EN 61515.
Standard material 1.4404,
other on request.
Standard diameter 3 or 6 mm.
- **Optional** on request other materials, diameter or wit transmitter

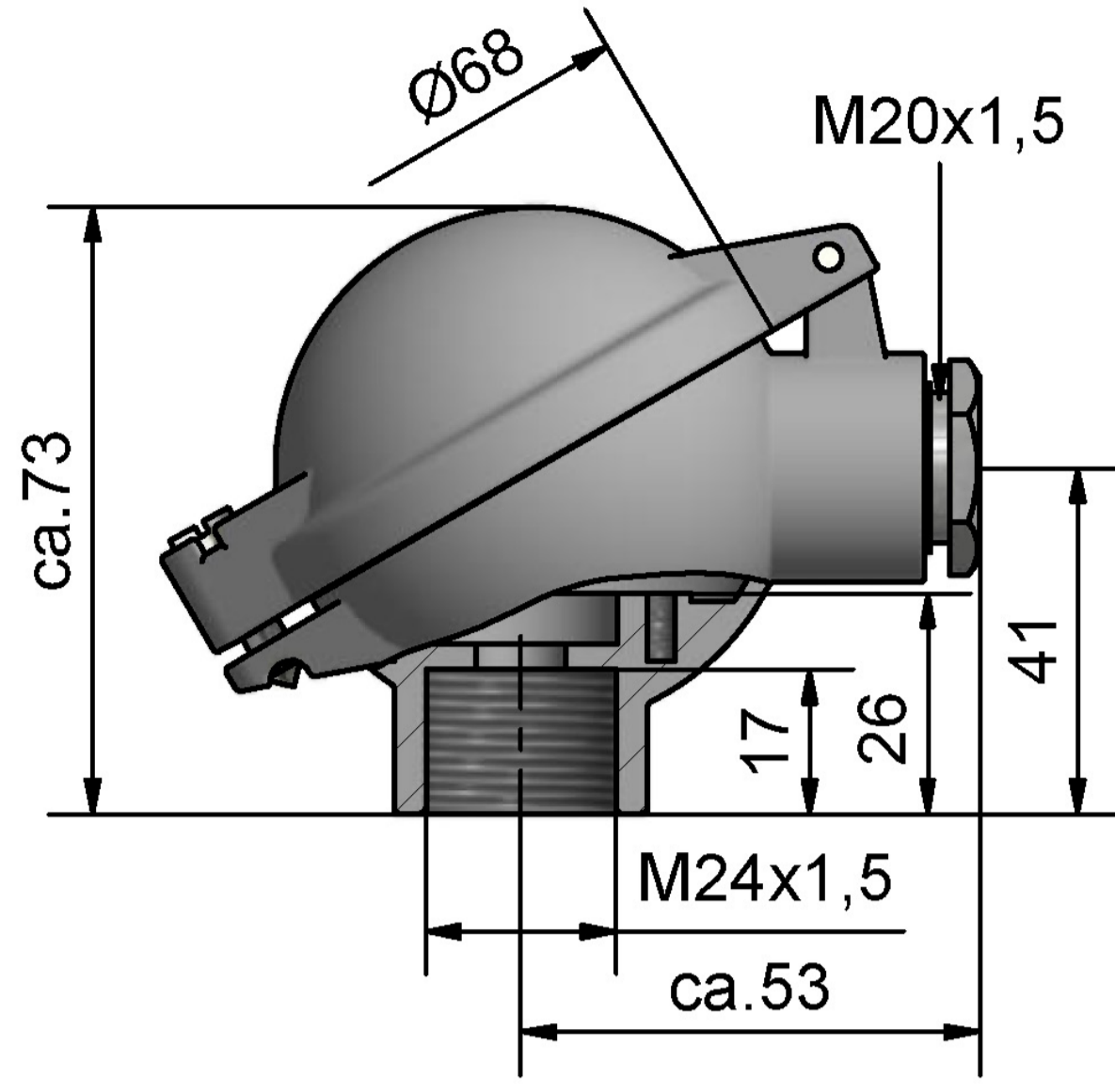


Optional connecting heads / circuit diagram

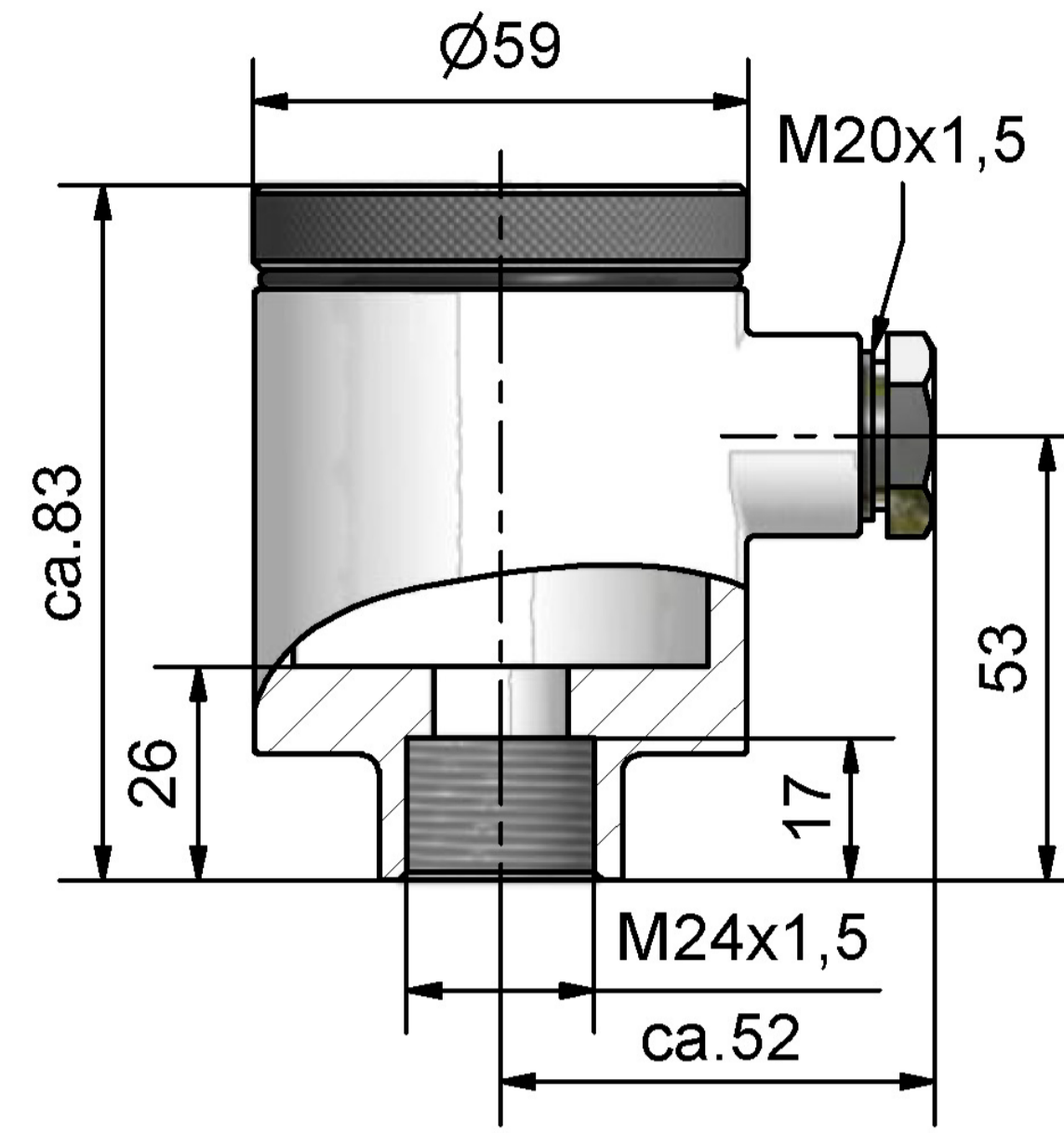
As an alternative to the cable gland, a M12 insert plug connector is possible



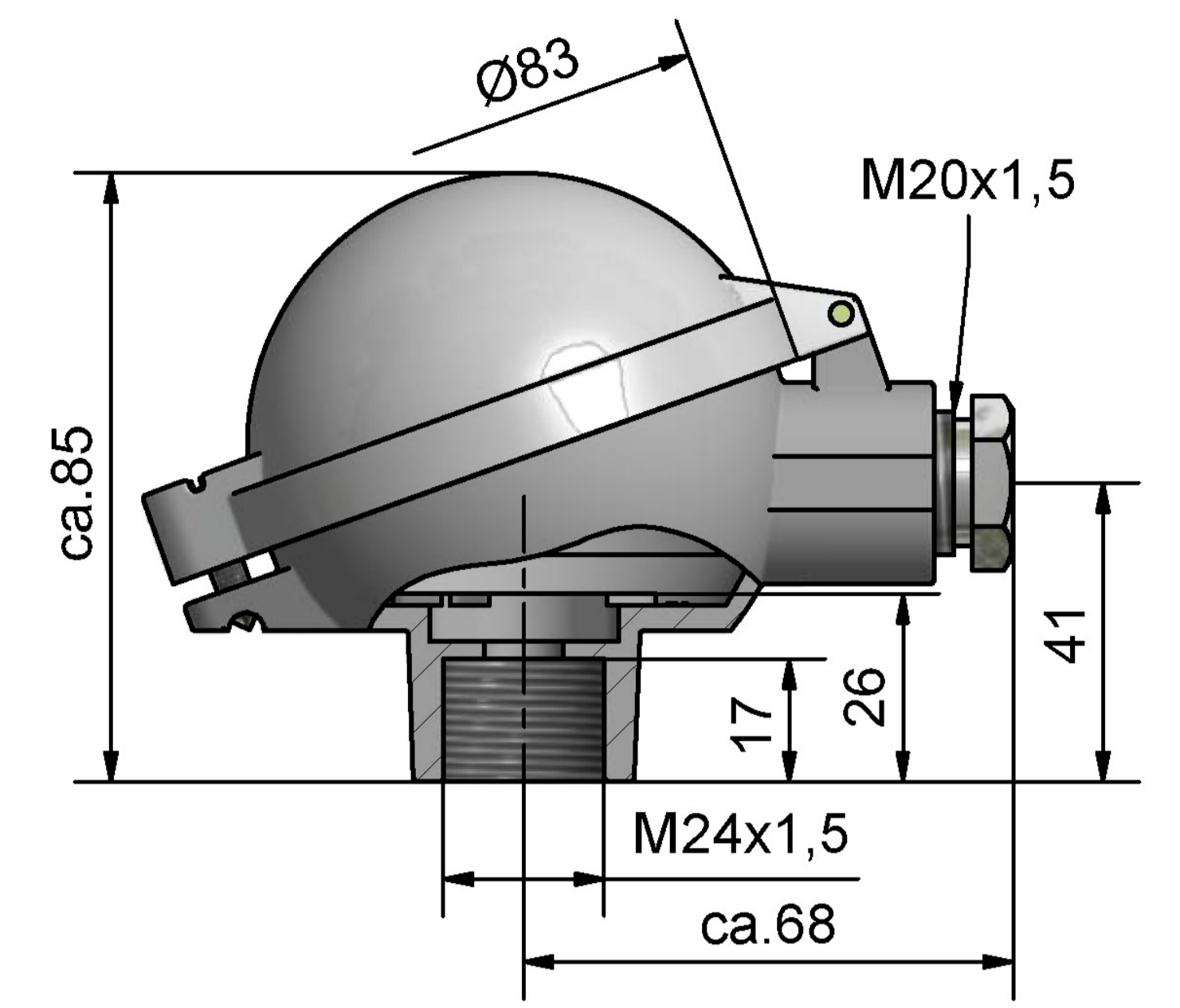
connection head model B-G12
M24 x 1,5



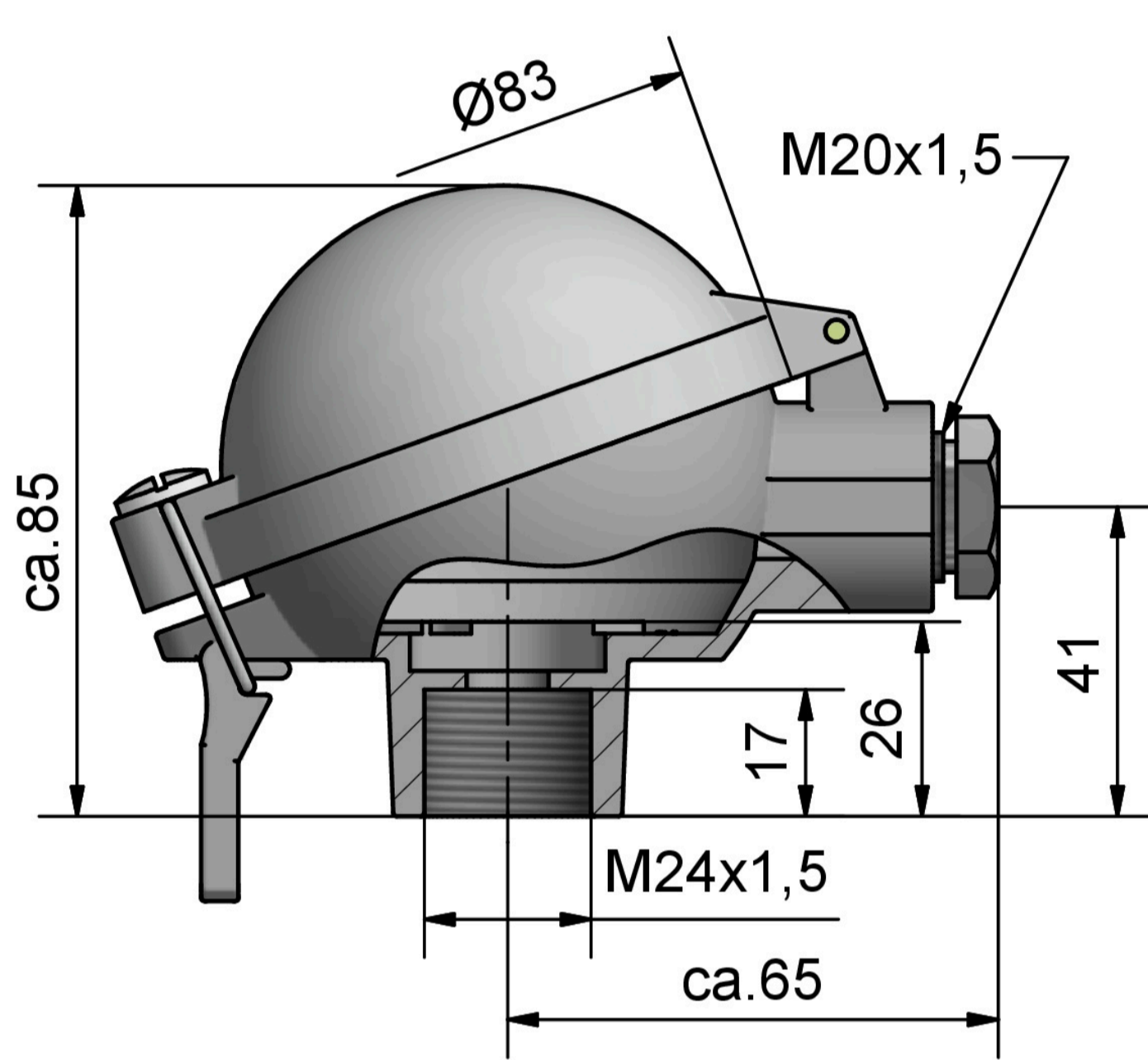
connection head model B-KL
M24 x 1,5



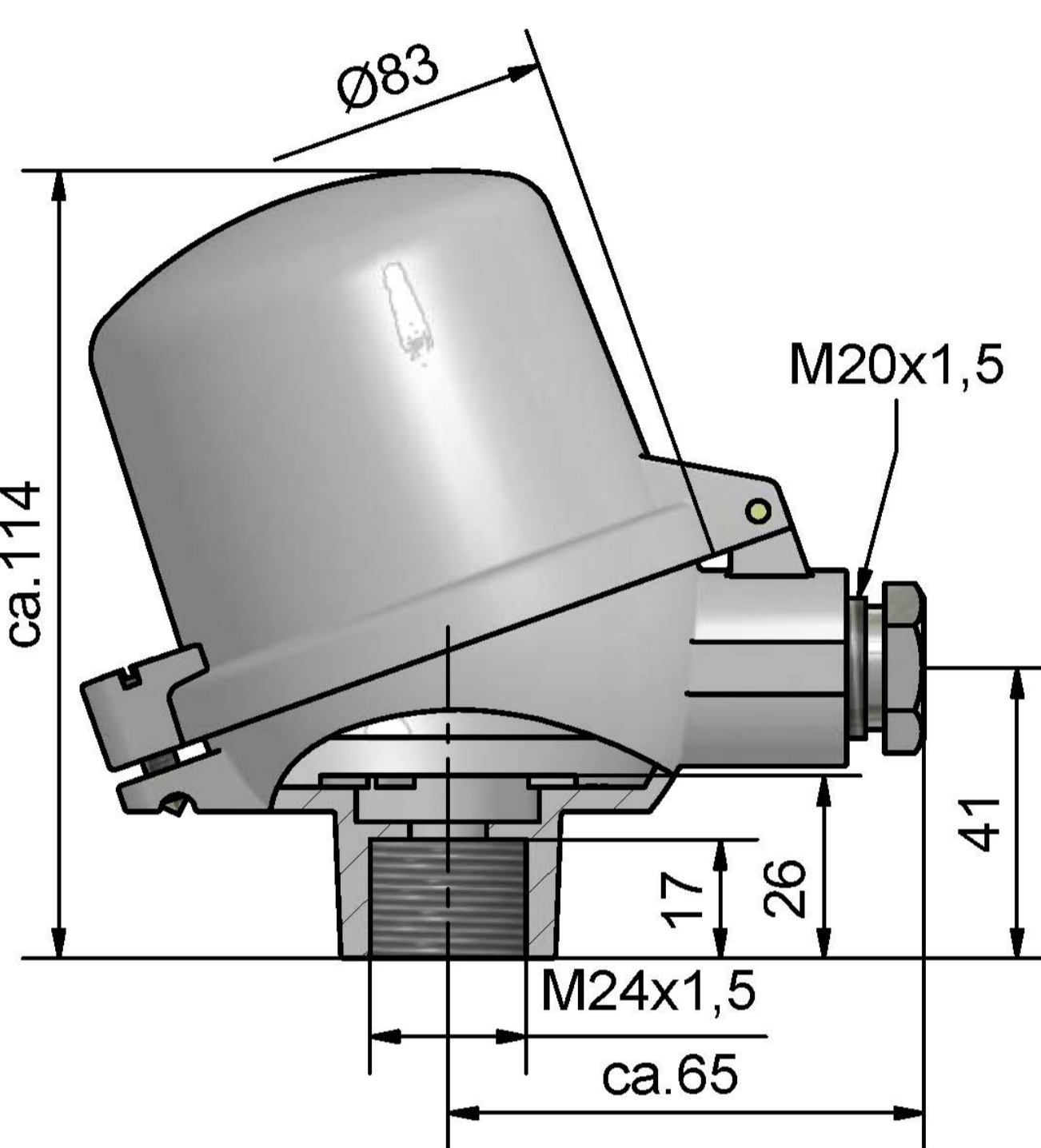
connection head model B-VA
M24 x 1,5



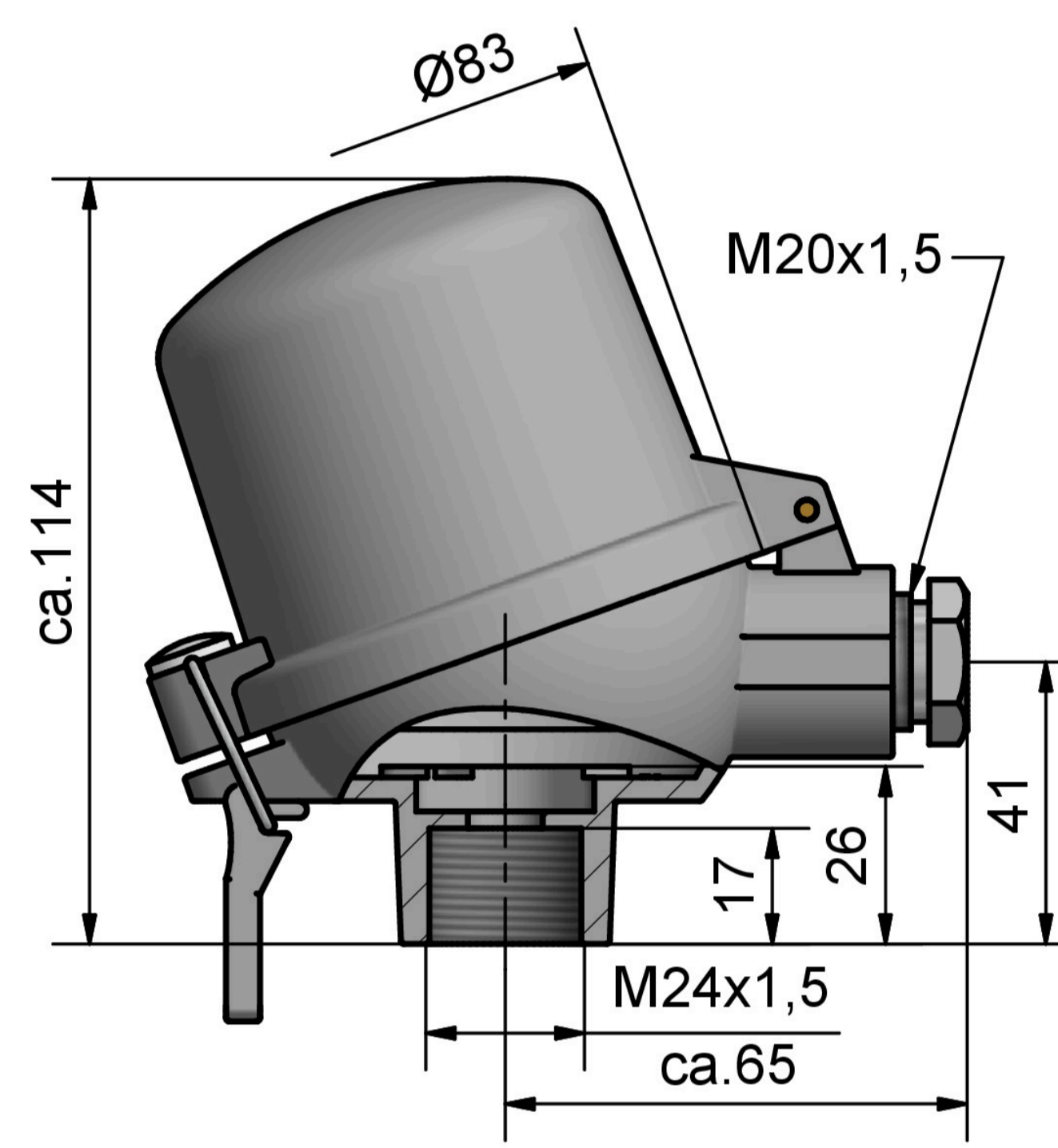
connection head model BA-KL
M24 x 1,5



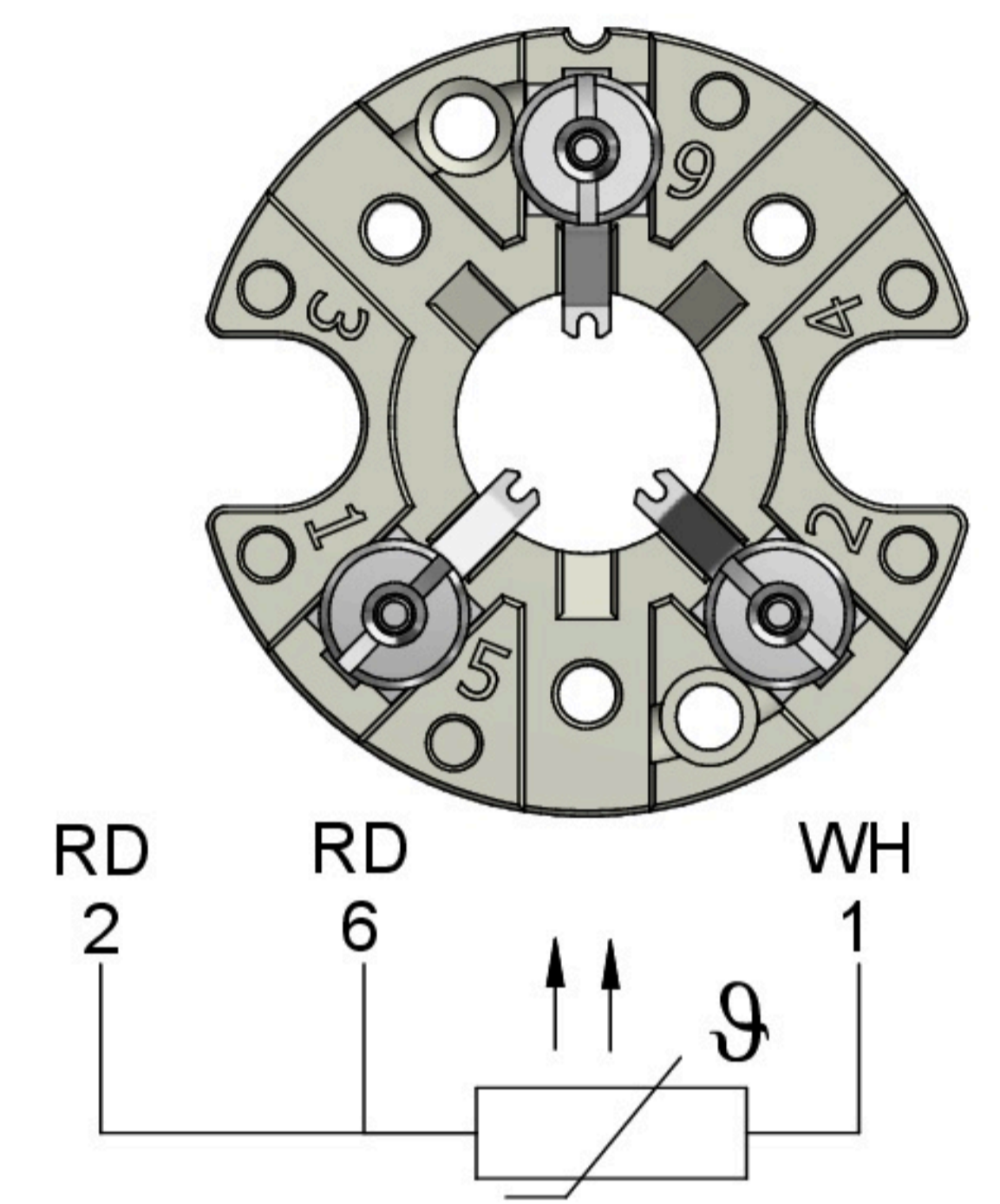
connection head model BA-KS2
M24 x 1,5



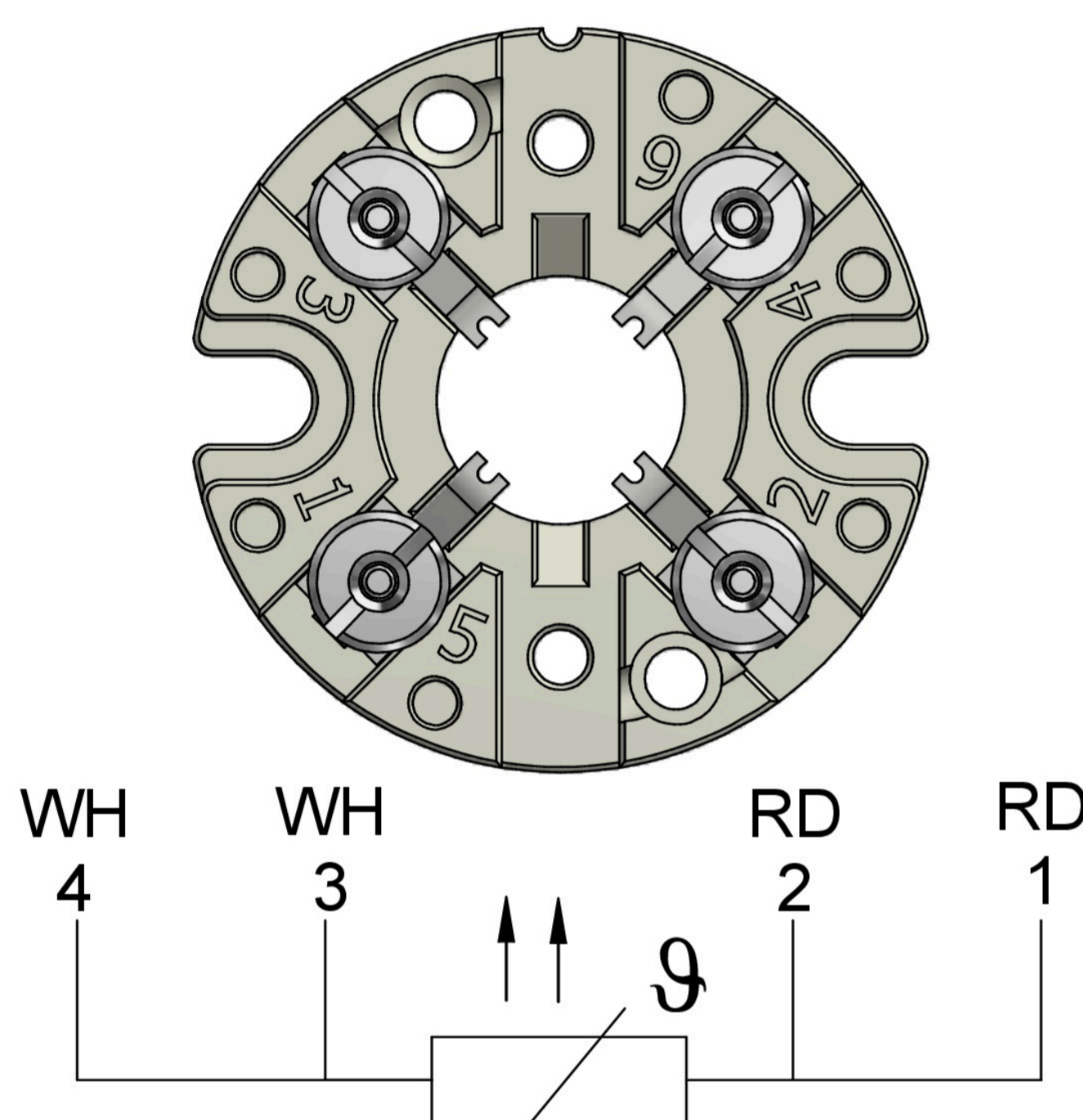
connection head model BA-KLH
M24 x 1,5



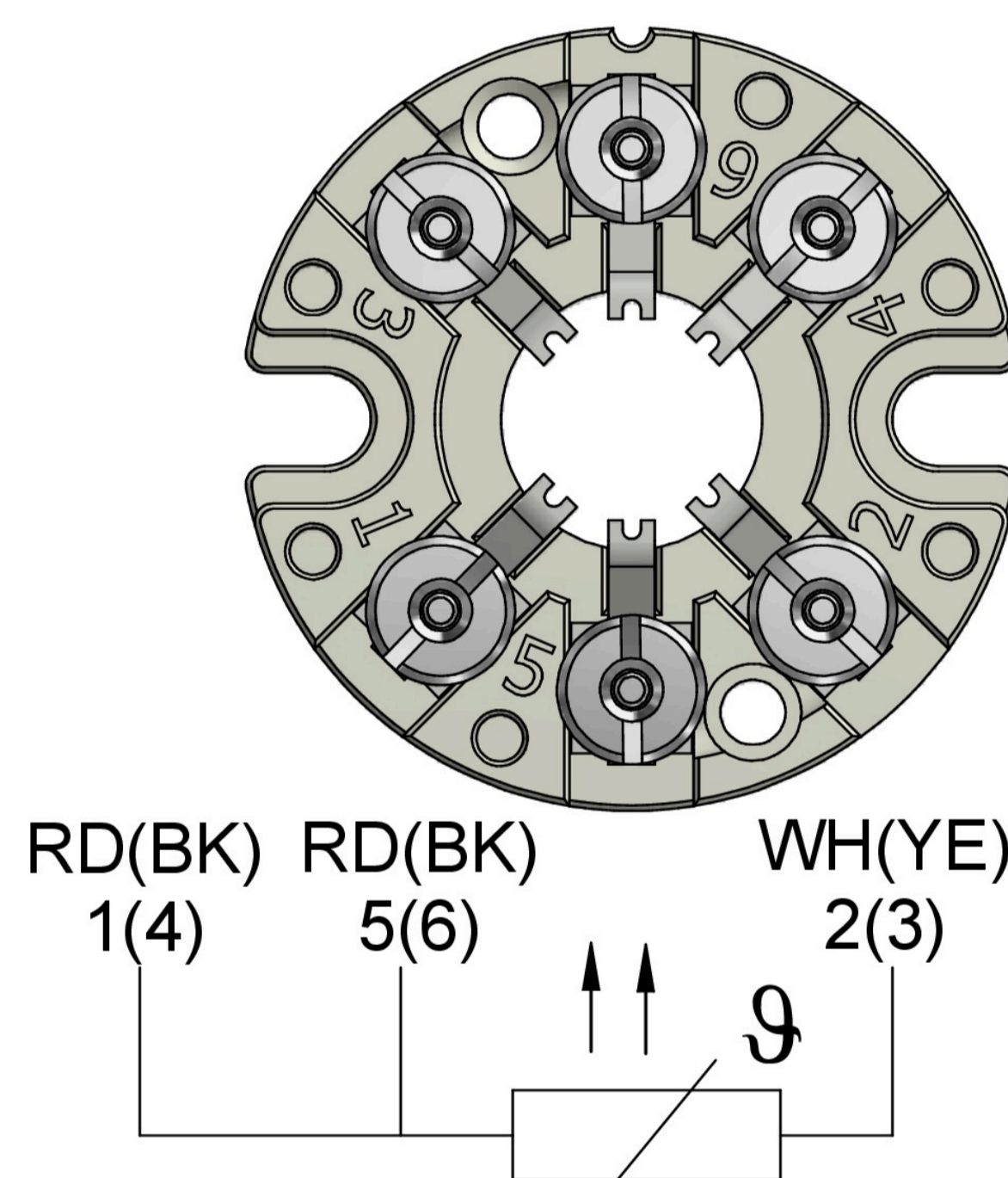
connection head model BA-KSH
M24 x 1,5



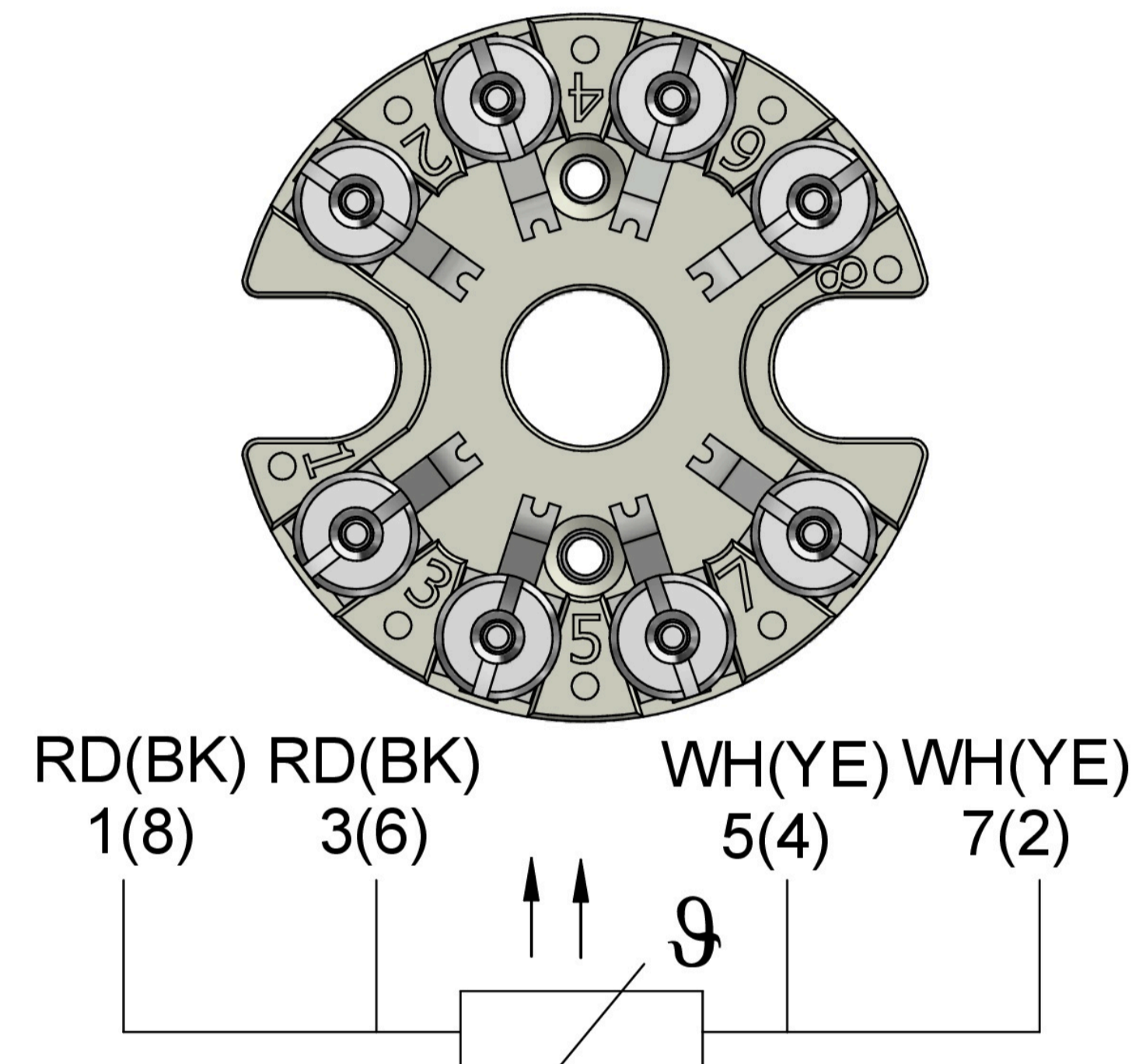
terminal base
1 x PT100 3 wire



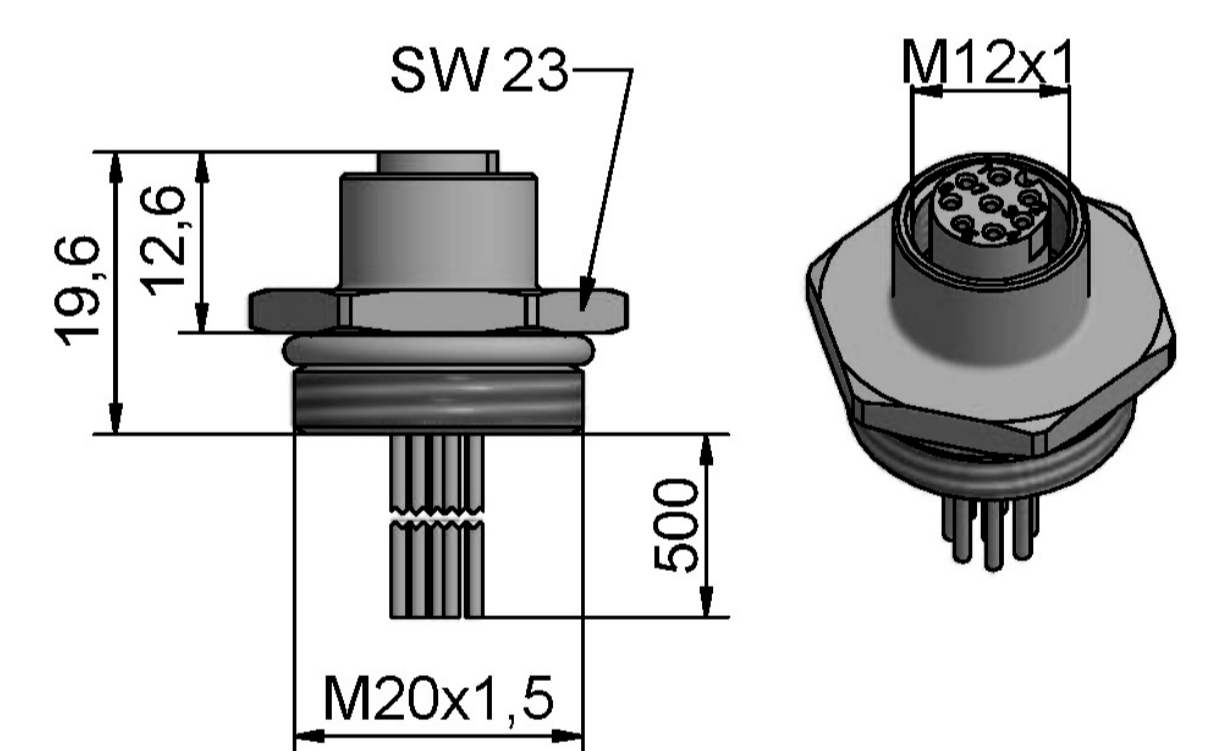
terminal base
1 x PT100 4 wire



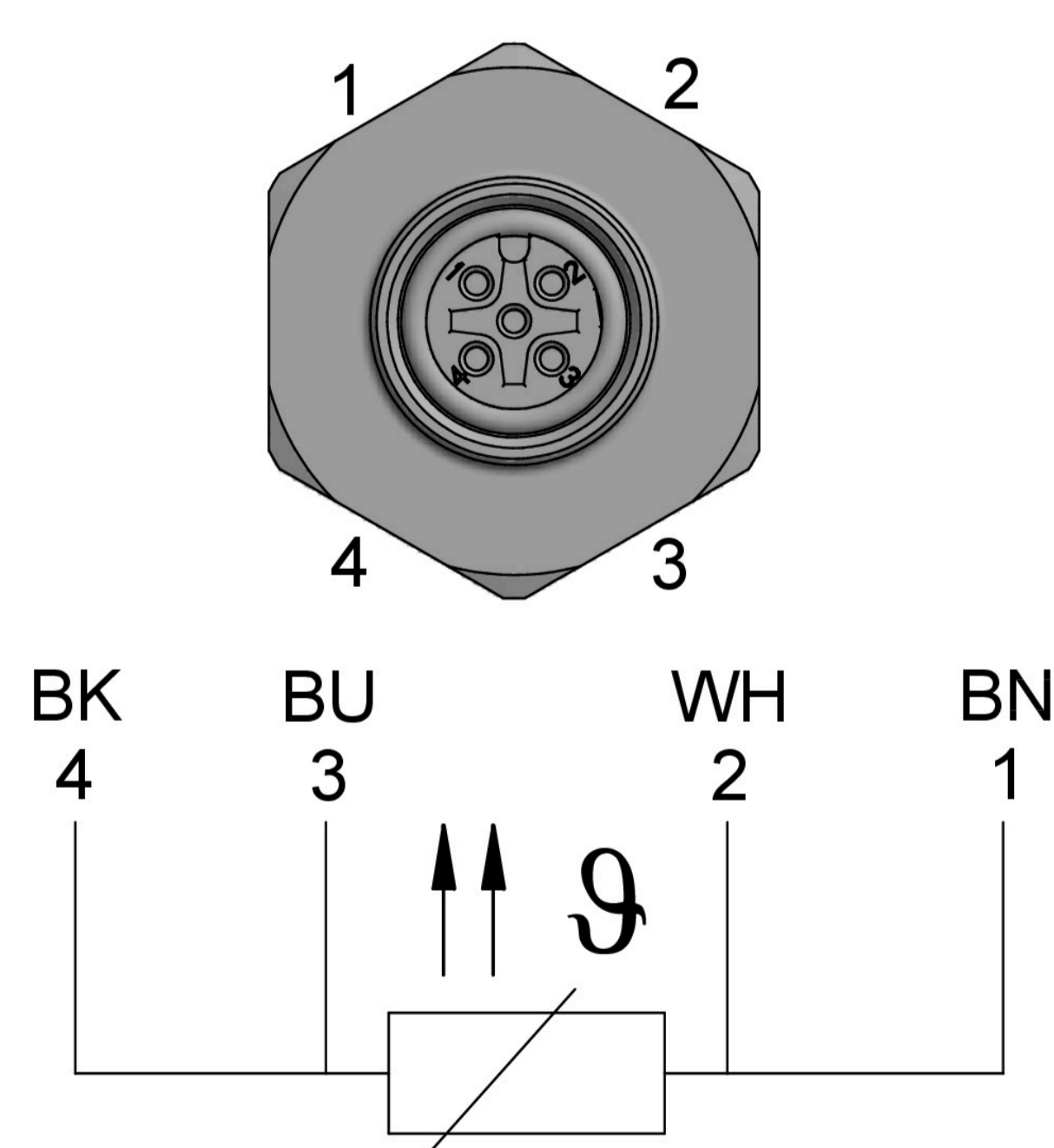
terminal base
2 x PT100 3 wire



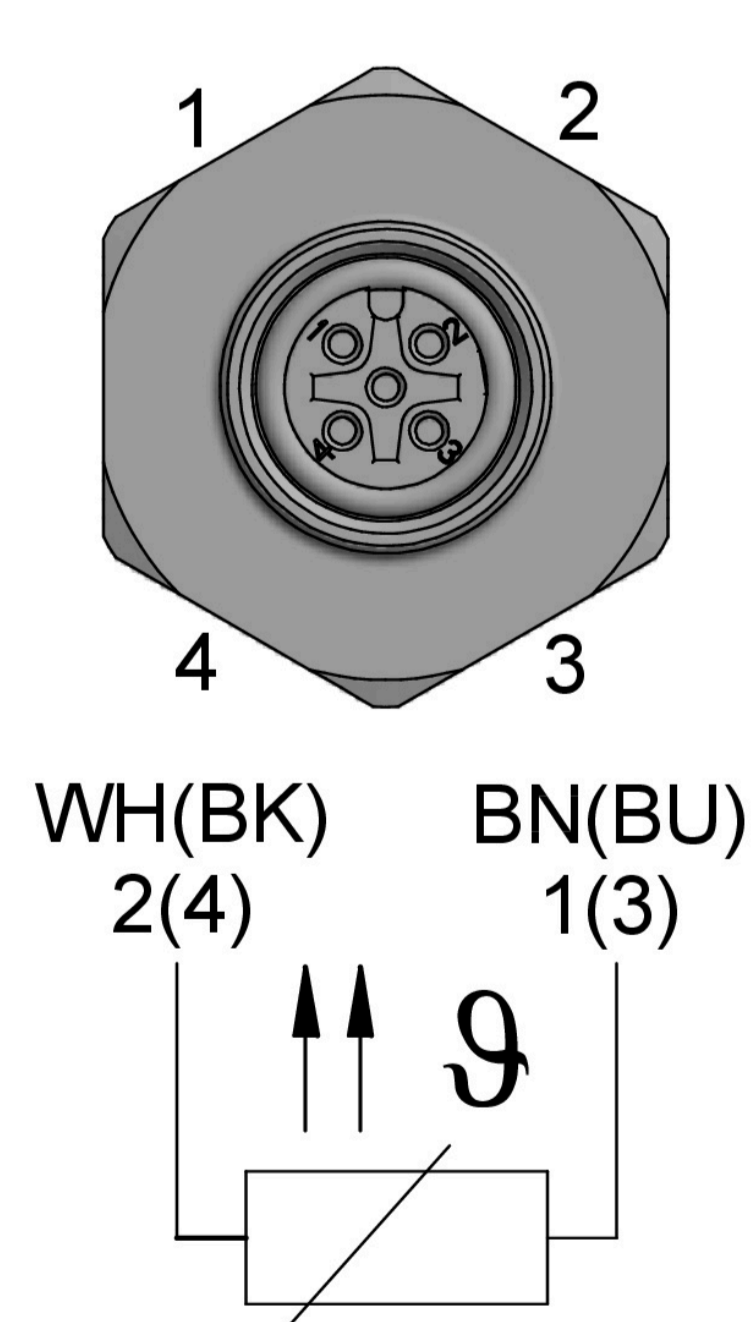
terminal base
2 x PT100 4 wire



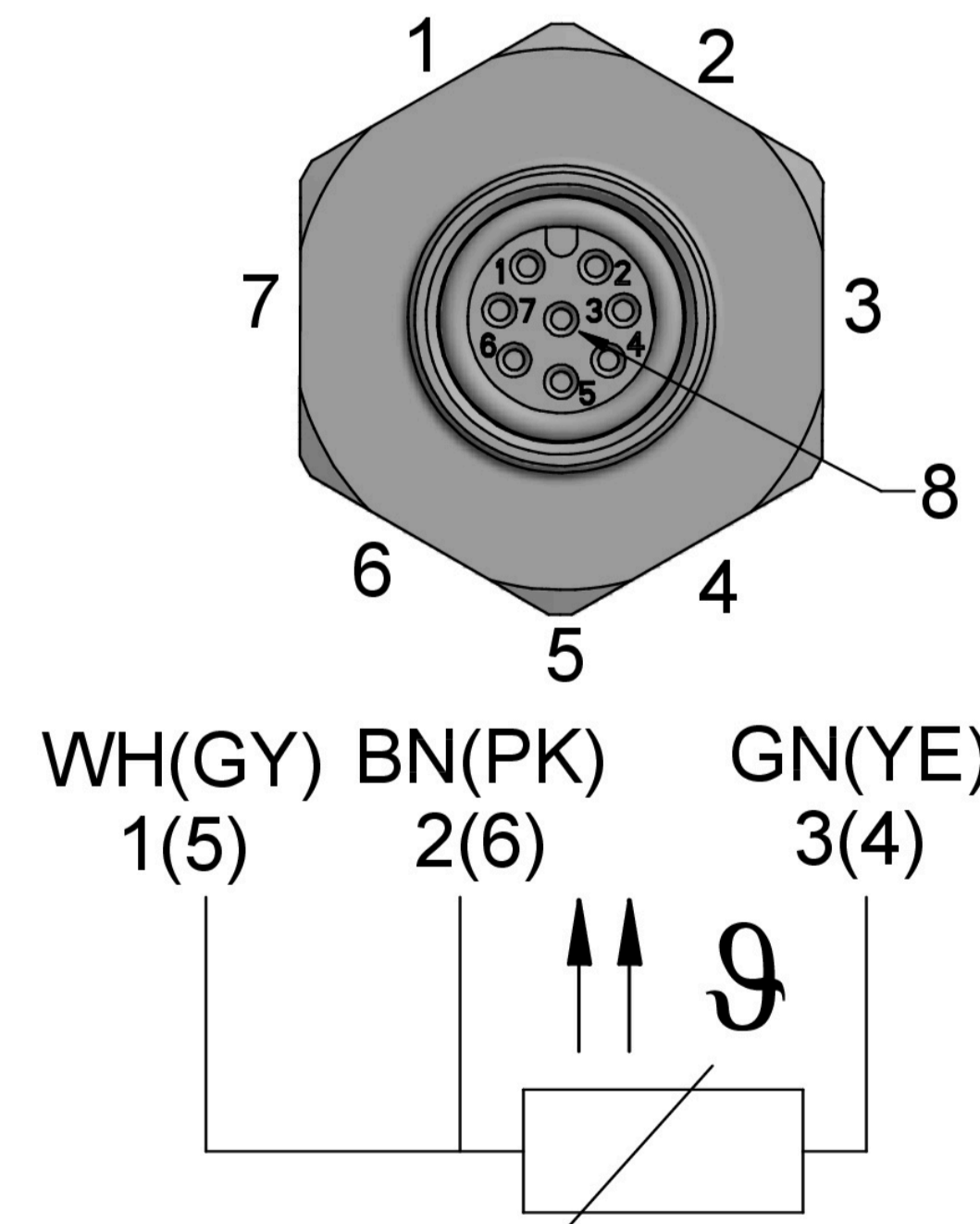
M12 insert socket
8 - terminal



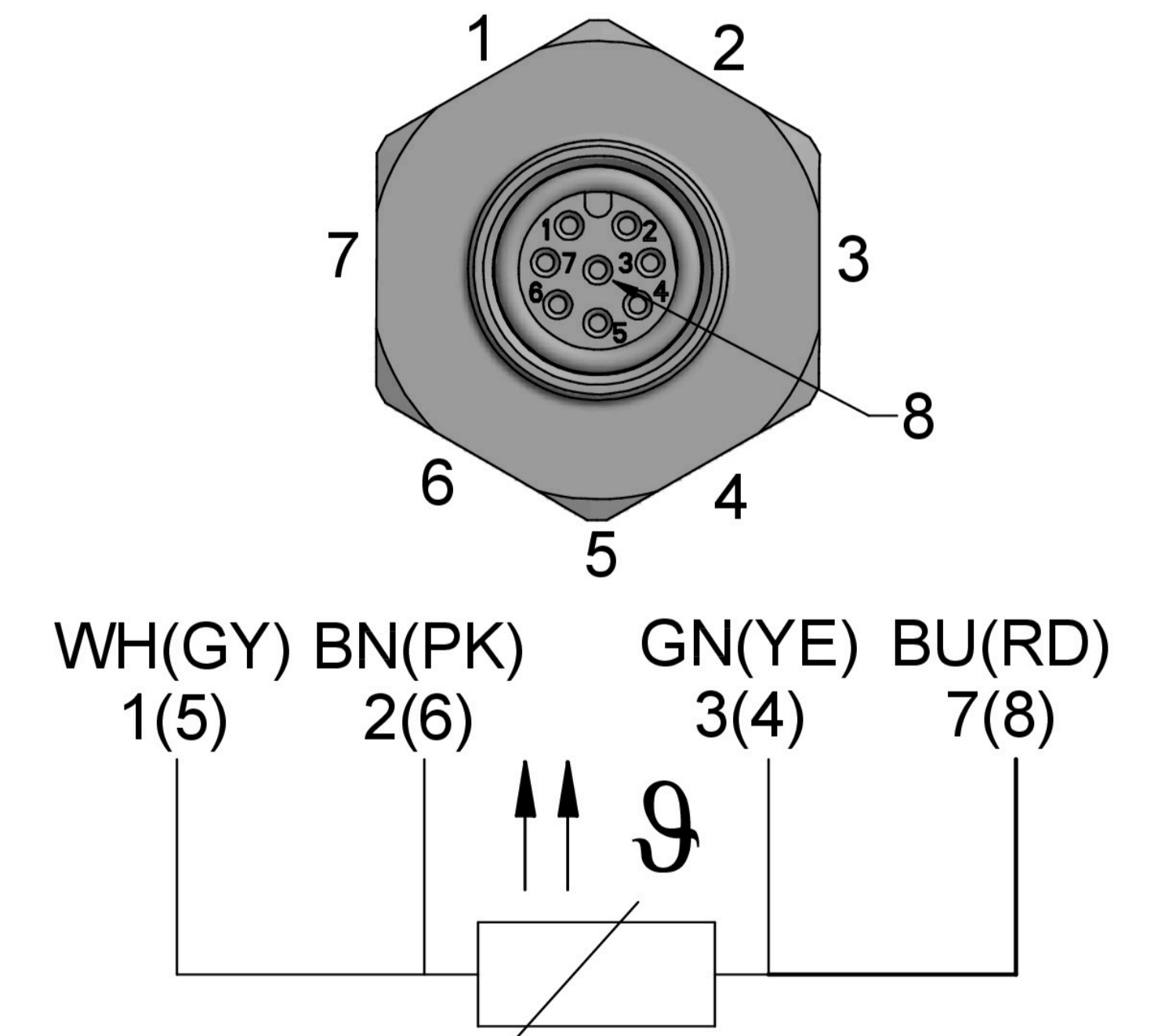
M12 insert socket
1 x PT100 4 wire



M12 insert socket
2xPT100 2 wire



M12 insert socket
2xPT100 3-wire



M12 insert socket
2xPT100 4-wire